



SEF-NEMA 4X Fixture

BENEFITS

- Patent pending, fast and easy installation and service
- No need to open or compromise HVACR equipment
- Lockable access prevents unauthorized fixture entry
- Two power-down features protect technicians when unit is accessed
- LampClamp™ technology ensures easy re-lamping—no special tools
- Typical installs, provide 360° UV-C distribution in most applications
- NEMA 4X rating ensures trouble free performance in most environments
- SEF-N has the lowest ownership cost any NEMA 4X UV-C unit
- It's light weight, reinforced, high performance plastic for long life
- White color eliminates solar gain, maximizes component/fixture life
- 4-1/2" knockouts/internal wire block facilitate field wiring, and to more than one unit
- Longest warranties in the industry

Today, UV-C disinfection and organic material degradation is well established. It can be found in GSA Building Standards, Homeland Security and HVACR energy and maintenance savings applications to greatly improved IAQ. Properly designed UV-C systems are fast becoming one of industry's greatest technology tools for humanity. Scientific studies and actual experiences abound to make UV-C one of the most widely tested HVAC technologies used by growing numbers of building engineers, owners and managers alike.

UV Resources' NEMA 4X combines high output UV-C performance in an affordably priced, single-ended lamp device that can be used most anywhere UV-C is needed. Exceptional safety features include a lockable entry, allowing use in pedestrian areas, as found at schools sites, etc.

UV-C photo-dissociates organic materials in HVACR equipment to help return surface cleanliness to near new. This helps to return coil heat exchange efficiency and moisture removal rates while reducing coil and drain pan maintenance and odor. UV-C also effectively and efficiently kills or inactivates, and then destroys surface and airborne microbes such as mold, bacteria and viruses that proliferate, foul and disperse throughout any A/C system, especially air conveyance paths that can contribute to poor IEQ and airborne-transmitted disease.

Nowhere is this more important than in "rooftop," wall or mezzanine split or package types of equipment. The UVR NEMA 4X design can be used in HVACR conditions of 1-77°C, 100% RH and at any velocity.

Application

SEF NEMA 4X fixtures install from the exterior of rooftop, through-wall and portable room A/C systems, or ductwork using exchangeable lamp lengths from 12 to 36 inches. Flexible lamp sizes and simple exterior installation make the SEF-N ideal for outdoor equipment that is difficult to access—to 30 tons or more. To install them in vertical or horizontal applications, simply make a 3/4-inch hole for the lamp, and attach the SEF-N with hex-head self-drilling screws (included). Each housing has four 1/2" electrical knockouts for simple wiring and comes standard with neoprene gaskets. The neoprene gasket between the fixture and its install site ensure a leak-free seal.

NEMA 4X

SEF-N

Corporate Office

28235 Newhall Ranch Road
Suite 260
Valencia, CA 91355

Phone 877.UV4.HVAC (884-4822)

Fax 661.296.4856

Website www.UVResources.com

REPRESENTED BY:

SPECIFICATIONS

FIXTURE – All NEMA 4X rated, single-ended UVC fixtures are factory assembled and tested. They consist of a NEMA 4X housing, locking eyelets, compensating power supply, power interlock, power disconnect, LampClamp™ lamp holder, Neoprene gaskets, lamp socket and are constructed for outdoor environments. Each fixture is UL and CUL listed for HVAC applications.*

HOUSING is NEMA 4X rated, and constructed of reinforced high-performance industrial white plastic for light weight, low solar gain, and structural integrity. It incorporates padlock eyelets and all other components into one integral assembly that simplifies installation, serviceability and safety. It's designed to be mounted from outside with the lamp protruding into "conditioned" air. The lamp is held in place and supported in the airstream by a patent-pending compression collar and compression nut (LampClamp™).

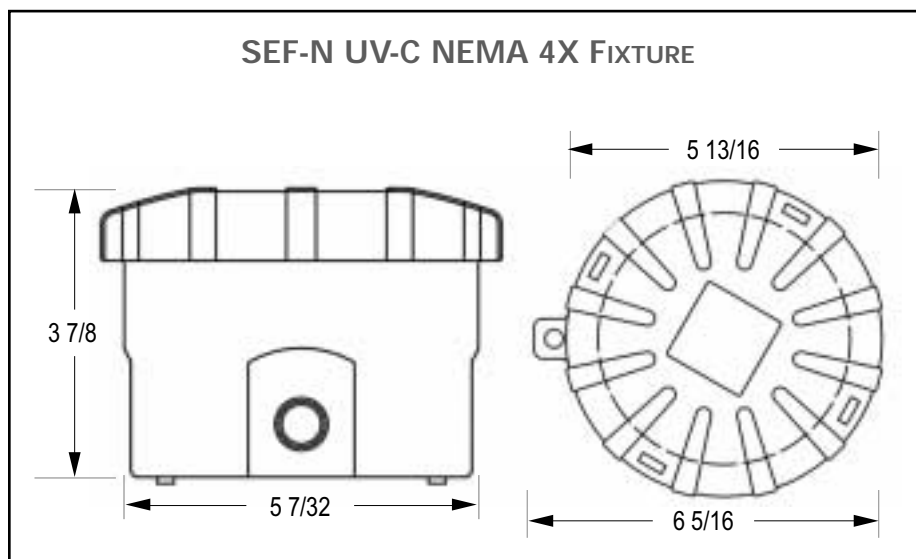
LAMP is a high output, hot cathode, T5, Circline, cell-base type that produces broadband UVC between 250–260 nm. Each lamp is capable of producing the specified output at any velocity or temperature of 1–77°C. Lamps are standard, non-ozone producing types.

POWER SUPPLY – Compensating power is achieved through a Class 2 type, high power factor, high conversion efficiency power supply. Safety features include a micro-interlock switch, service

power disconnect and LampClamp™. It's design maximizes lamp output over the lamp's life in lamps of 12 to 36 inches long, and reliability in operating conditions from 1–77°C, 100% RH and at any velocity. It features RF and EMI suppression and end of lamplife protection.

SOCKET is standard Circline® 4-pin type constructed of a UVC resistant polycarbonate for long life and incased in LampClamp™ for total reliability in contact, support and servicing.

INDEPENDENT TESTING is in accordance with all safety requirements of Underwriters Laboratories.



ORDERING INFORMATION

Model No	P/N	Description	Electrical	Weight
FIXTURE HOUSING				
SEF-N-SO-120	57400550	SEF-N Single Ended NEMA-Std UVC Output – 120 Vac	120 Vac, 60 Hz, 0.32–0.55 A	1 Lb.
LAMPS (Order 1 lamp of desired length per SEF-N fixture. Fixture ships without lamp.)				
SEF-12-SO-T5-4	55023551	SEF 12" Single Ended Lamp		1 Lb.
SEF-22-SO-T5-4	55043551	SEF 22" Single Ended Lamp		1 Lb.
SEF-33-SO-T5-4	55063551	SEF 33" Single Ended Lamp		1 Lb.
ACCESSORIES				
SDT-480-277-240	90004882	Step-Down Transformer: 480-277-240 to 120	480Vac/277Vac/240Vac	3.5 Lb.
SEF-120-SC	90004300	6' Power Cord	120Vac	1 Lb.

The health aspects associated with the use of this product and its ability to aid in the disinfection of environmental air have not been investigated by UL.

*UL and CUL Listed components; product pending
Specifications subject to change without notice.

© UV Resources 2007 57003520 Rev A

Work up a job today at
www.UVResources.com