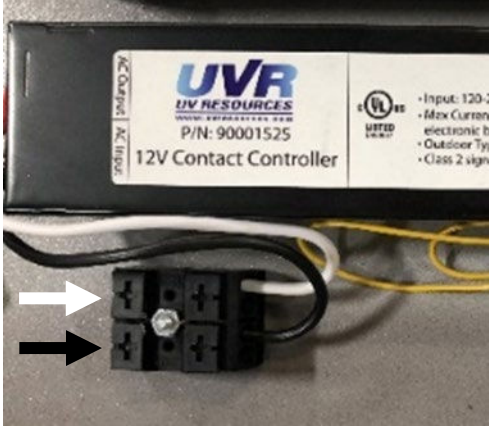



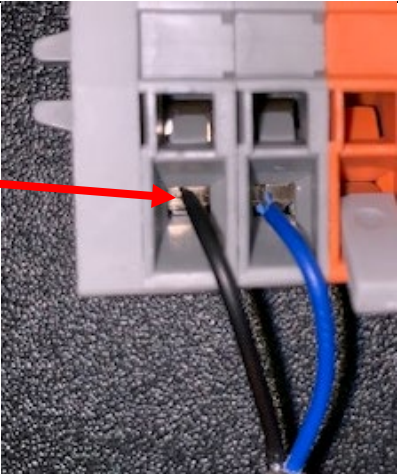
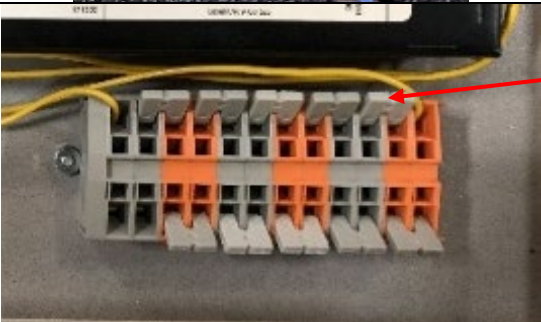
# 12V Contact Controller Trouble Shooting Guide

Product	Part Number(s)	Rev.	ISSUE DATE	Page 1 of 4
12V Contact Controller	90001527	A	10-3-19	

<u>Trouble Shooting Step</u>	<u>Photo</u>	<u>Procedure</u>
1		<ol style="list-style-type: none"> <li>1. Verify incoming power wiring block is correctly wired;</li> </ol>
2		<ol style="list-style-type: none"> <li>2. Check to ensure the gap between the Magnetic Reed switch is not too big (should not exceed 3/4")</li> <li>3. Try moving them closer</li> <li>4. Light on?</li> <li>5. If NO continue to Step 3</li> </ol>

# 12V Contact Controller Trouble Shooting Guide

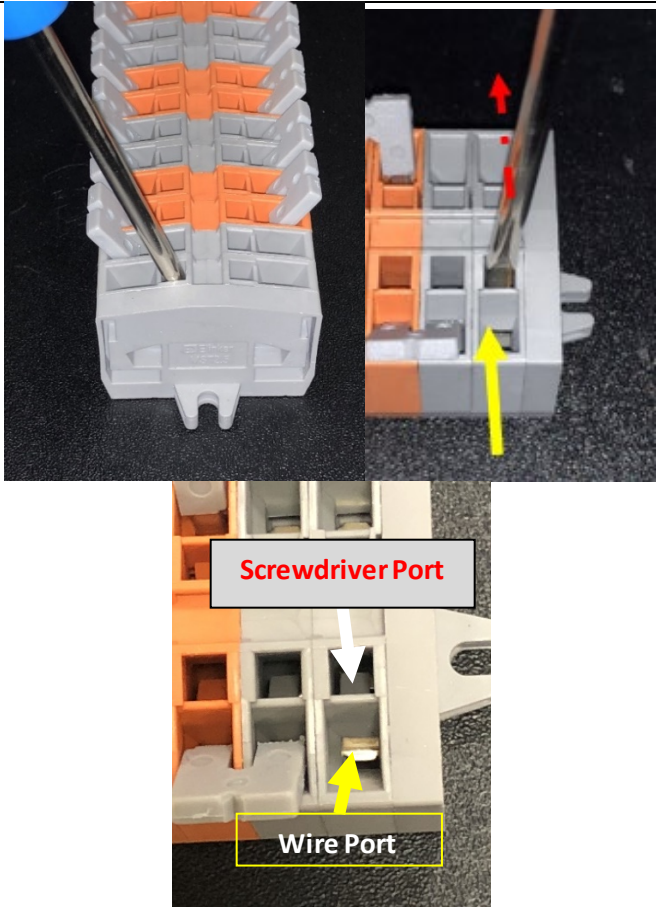
Product	Part Number(s)	Rev.	ISSUE DATE	Page 2 of 4
12V Contact Controller	90001527	A	10-3-19	

3	 <p>Wire "clamp"</p>	<p><b>NOTE: DISCONNECT POWER BEFORE PROCEEDING</b></p> <ol style="list-style-type: none"> <li>1. Check to ensure low voltage wires are correctly in wiring block;</li> <li>2. Wires should be stripped, and bare wire should be in port making contact with the "metal clamp" part of the wiring block;</li> <li>3. Reconnect power; the 12V Contact Controller will make an audible "click" sound when it is working;</li> <li>4. Lights on?</li> <li>5. If NO continue to Step 4</li> </ol>
4.		<ol style="list-style-type: none"> <li>1. Insure all "jumpers" are in place- image shows all jumpers in place;</li> <li>2. Insure yellow wires are securely connected in ports of wiring block and in contact with metal wire "clamp" as noted in Step 3</li> </ol>

# 12V Contact Controller Trouble Shooting Guide

Product	Part Number(s)	Rev.	ISSUE DATE	Page 3 of 4
12V Contact Controller	90001527	A	10-3-19	

3



**NOTE: DISCONNECT POWER BEFORE PROCEEDING**

1. Using a screwdriver, insert in to wiring block to open wire clamp (move screw drive backwards to open wire port)

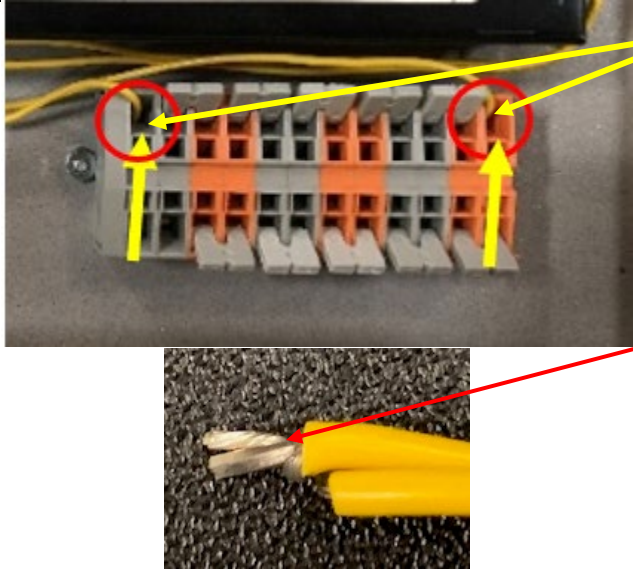


877.884.4822

info@uvresources.com

# 12V Contact Controller Trouble Shooting Guide

Product	Part Number(s)	Rev.	ISSUE DATE	Page 4 of 4
12V Contact Controller	90001527	A	10-3-19	

		<ol style="list-style-type: none"> <li>1. Remove the yellow low voltage wires from the wiring block (one yellow wire on the top right and one yellow wire on the top left of wiring block)</li>   <li>2. Twist the two yellow wires together – this will close the circuit and rule out any issues with the wiring block;</li> <li>3. Reconnect power; The 12V Contact Controller will make an audible “click” sound when it is working;</li> <li>4. Lights on?</li> <li>5. Alternatively, if only controlling one door, the yellow wires can be directly connected to wires to magnetic reed switch wires;</li> <li>6. If lamps do switch on, call UVR Resources for RGA and replacement 12V Contact Controller.</li> <li>7. Install new 12V Contact Controller</li> </ol> <p><b>***Before connected new 12V Contact Controller, please note the electrical requirement of the contact controller and ensure input power and load is within specs:</b></p> <ul style="list-style-type: none"> <li>• Input: 110-277Vac</li> <li>• Output: 12VDC</li> <li>• Load: 16A at 110-277Vac</li> </ul>
--	--	---