

UV-C for Surface Disinfection and On-The-Fly



Applications

The very-high output (VO) Double Ended (DE) ultraviolet fixture is designed for use in new or existing air handlers and delivers up to twenty-percent more ultraviolet energy at HVAC temperatures, effectively inactivating and/or degrading even the most resilient microorganisms and organic matter. Perfect for commercial, industrial, healthcare and institutional building air handlers to maintain and/or improve HVAC efficiency or disinfecting airstreams.

The DE [X] series features stainless steel construction, a waterproof ballast design, high spectral aluminum reflector, plug-n-play wiring and built-in weep holes to withstand the harshest commercial or industrial HVAC environments.

Fixtures may be mounted alone, in built-up banks or in parallel configurations in a variety of locations including down stream of cooling coils, above drain pans, in ductwork, mixed air plenums and exhaust systems.

When installed near HVAC cooling coils, the DE [X] can improve coil heat transfer efficiency and reduce coil pressure drop, reducing energy consumption while lowering maintenance costs.

DE [X] fixtures meet all ASHRAE guidelines and are suitable for virtually all UV-C applications. Various sizes and its 120–277V voltage options allow for easy installation practically anywhere.



Benefits

- Very high output (VO) lamps with EncapsuLamp™ protective sleeving
- 20% Higher UV-C Output at the coldest HVAC temperatures
- Waterproof ballast for harsh HVAC environments
- Fixture-to-fixture Plug-n-Play wiring speeds installs
- Restores AHU capacity and efficiency to save energy
- High spectral aluminum reflector increasing effectiveness
- Produces no VOCs, chemicals or ozone
- Durable stainless-steel construction
- UV-C can improve indoor environmental quality
- UL, cUL and other agency certifications

FIXTURE is factory-assembled and tested. Fixtures consist of a stainless steel housing, high spectral aluminum reflector, waterproof power source, lamp sockets, quick electrical connections for fixture-to-fixture coupling, and lamp. Construction is designed to withstand HVACR environments, components are in one integral assembly to maximize serviceability and is appropriately UL/C-UL (ABQK) Listed.

HOUSING is constructed of heavy-gauge 304 stainless steel and is equipped with two 7/8" conduit knockouts on the fixture's ends for ease of wiring. Fixtures can be mounted anywhere in an HVACR system or as shown on system plans.

REFLECTOR fixture cover is constructed of heavy gauge, specular finished aluminum alloy with approximately 85% reflectance at 254 nm wavelength.

POWER SUPPLY is a waterproof, type 1, outdoor, with a power factor greater than 0.98 and a power conversion of greater than 90%. The power supply design includes RF and EMI suppression. It is designed to maximize photon production, irradiance and reliability in cold airstreams of 33-140°F, 100% RH. Input: 120-277 V, 50/60 Hz, single phase and has plug-n-play wiring for fixture-to-fixture wiring.

SOCKETS are medium, bi-pin, single-click safety, twist-lock type and constructed of polycarbonate.

LAMPS are very high output, T5 diameter, medium bi-pin type that produce broadband UV-C of 254 nm. Each lamp produces the specified output at any airflow velocity and heating and cooling temperatures of 33°F to 170°F. Minimum useful lamp life is 9,000 hours, with no less than 85% of original output, depending on conditions.

INDEPENDENT TESTING – Fixtures have been independently tested to verify UV output under various conditions and in conformance to UL/C-UL (ABQK).

DE [X]™ FIXTURES; PREVIOUSLY KNOWN AS "DEF" AND "DE"

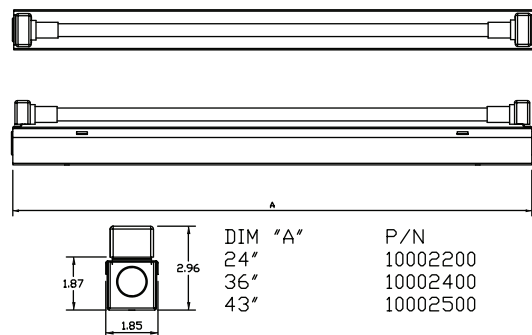
P/N	Product Description
10002250	DE [X] 24 VO - Double Ended Fixture - 120-277V (No Lamp)
10002450	DE [X] 36 VO - Double Ended Fixture - 120-277V (No Lamp)
10002550	DE [X] 42 VO - Double Ended Fixture - 120-277V (No Lamp)
10002220	DE [X] 24 VO - Double Ended Fixture - 120-277V (With Lamp)
10002420	DE [X] 36 VO - Double Ended Fixture - 120-277V (With Lamp)
10002520	DE [X] 42 VO - Double Ended Fixture - 120-277V (With Lamp)

DE [X] ACCESSORIES AND REPLACEMENT PARTS

P/N	Product Description
10000222	Deflector 24 Installation Kit Includes Deflector, Two Self Tapping Screws
10001122	Deflector 36 Installation Kit Includes Deflector, Two Self Tapping Screws
10001322	Deflector 42 Installation Kit Includes Deflector, Two Self Tapping Screws
52000045	DE [X] Electrical Connection Kit Includes Quick Disconnect, Dielectric (Silicone) Grease, and Snap Bushing
90000224	DE [X] Boot Kit UV Resistant - 10 DE Fixtures
10000154	DE [X] Replacement Power Supply Kit 120-277V
10000114	DE [X] Tombstone - 10 Pack Includes TEN Each

DE [X] LAMPS; MULTIPACKS AVAILABLE

P/N	Product Description
20000201	GTD 22 VO - Double Ended EncapsuLamp™- Single Pack Include ONE Lamp
20000401	GTD 34 VO - Double Ended EncapsuLamp™- Single Pack Include ONE Lamp
20000501	GTD 40 VO - Double Ended EncapsuLamp™- Single Pack Include ONE Lamp



The health aspects associated with the use of this product and its ability to aid in the disinfection of environment air have not been investigated by UL. Air duct mounted accessory with respect to electric shock, fire and casualty hazards only.

Specifications subject to change without notice. UV Resources, LLC Rev. A