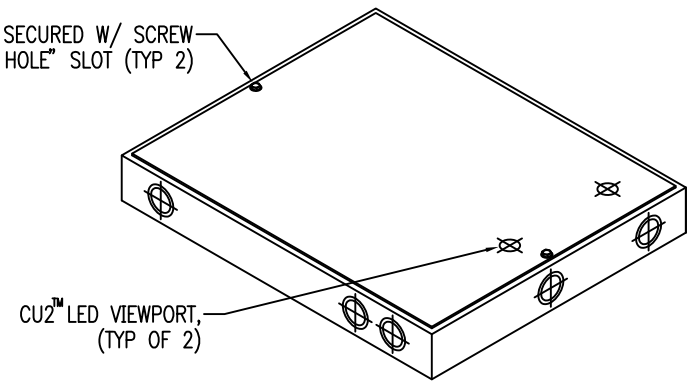


TOP SECURED W/ SCREW  
& "KEY HOLE" SLOT (TYP 2)



ISOMETRIC VIEW (NTS)  
W/ COVER INSTALLED

NOTES:

1. 20 GA POWDER COATED GALVANIZED STEEL.
2. NEMA 2/1P11 - INDOOR USE.
3. POWER SUPPLY - 120-277V (240V REC) UL/CUL, CE/CSA LISTED.
4. TERMINAL BLOCK - WIRE SIZES 20-12 AWG, 300V/20A, 600V/5A UL RECOGNIZED.
5. CU2™ 0V/5V ANALOG OUTPUT LAMP/BALLAST SIGNAL CURRENT SWITCH - ON/OFF.
6. 12V CONTACT CONTROLLER - INPUT VOLTAGE 85-305V, 20A; OUTPUT: 12V-1-6 MAGNETIC DOOR SWITCHES.

GENERAL:

1. CONSULT PRODUCT IOM FOR INSTALLATION DETAILS.
2. USE OF INTERLOCK SWITCHES ON ALL ACCESSES TO UV-C LAMPS RECOMMENDED.
3. CUT-OFF SWITCH ON EXTERIOR OF PLENUM NEXT TO UV-C LAMP ACCESS RECOMMENDED.
4. CAUTION: NEVER LOOK AT LAMPS WHEN LIT - EYE AND SKIN DAMAGE MAY RESULT FROM EXPOSURE.
5. SHOCK HAZARD: DISCONNECT POWER SUPPLY.

Rev	Date	Description
B	7/29/19	ADDED MOUNTING HOLE LOCATIONS
A	5/4/18	CHANGED CONTROLLER TO 12V
0	10/20/17	FIRST ISSUE
<b>UVR</b> UV RESOURCES		
Description:		X-BOX-2PS PANEL LAYOUT
PN:		55000162
Rev:	Date:	Dwg No.
B	10/19/17	98000342
		1 of 1