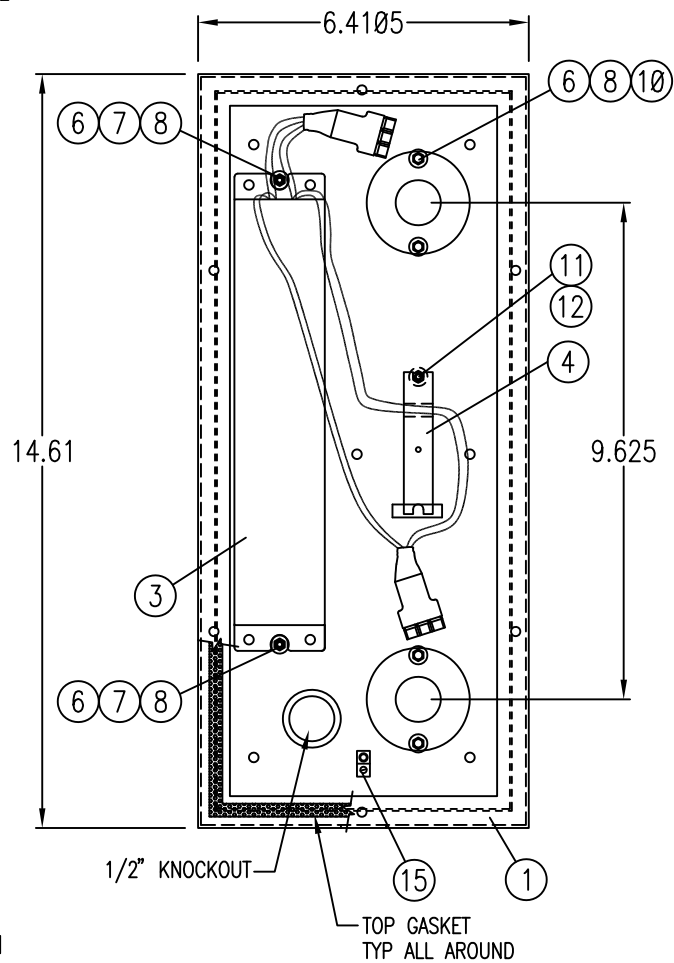
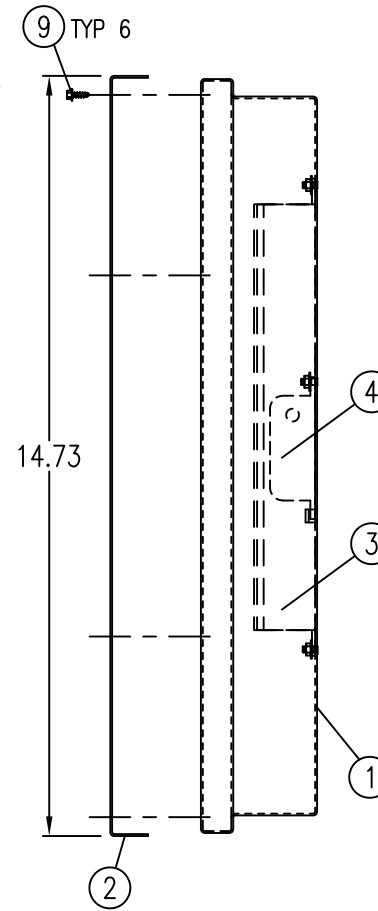


BOTTOM VIEW



PLAN VIEW - COVER REMOVED



SIDE VIEW - COVERS REMOVED

ITEM	QTY	PART NO.	DESCRIPTION
1	1	90003828	ENCLOSURE BASE
2	1	90003829	ENCLOSURE LID
3	1	90002874	BALLAST
4	1	90004040	CU2
5	2	90007611	4 PIN CIRCLINE LAMP PLUG
6	6	-	#8-32 PEM STUD
7	2	90003683	#8-32 MACHINE SCREW NUT
8	6	90003483	#8 SAE FLAT WASHER
9	6	90003382	STEEL BINDING HEAD SLOTTED SCREW, 6-32 THREAD SIZE-1/2"L
10	4	90003689	8/32 KNURLED NUTS
11	1	90003684	#6-32 MACHINE SCREW NUT
12	1	-	#6-32 PER STUD
13	1	90004110	ENCLOSURE LID GASKET
14	1	90004111	ENCLOSURE BASE GASKET
15	1	90004409	GROUNDING LUG

Rev	Date	Description
A	6/11/21	ADDED LAMP CENTERLINE DIM

UVR
UV RESOURCES

Description: DLX-N

PN: 57806550

Rev: A	Date: 9/9/2020	Dwg No. 98006880	1 of 1
--------	----------------	------------------	--------

SPECIFICATIONS:
1. 20 AWG GALVANIZED ASTM-A653/A924

DIMENSIONAL TOLERANCES: ± 0.03
HOLE LOCATION TOLERANCES: ± 0.01