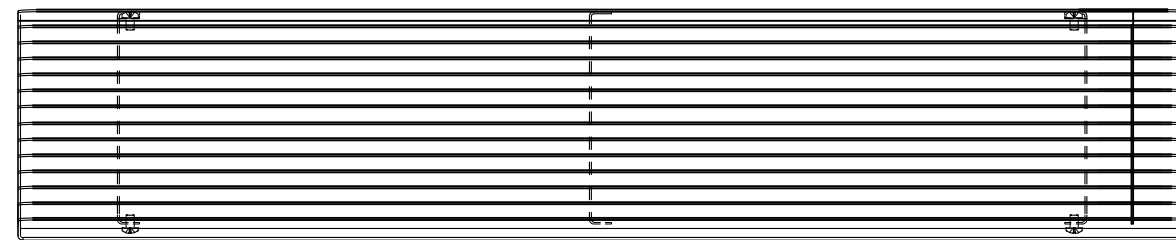
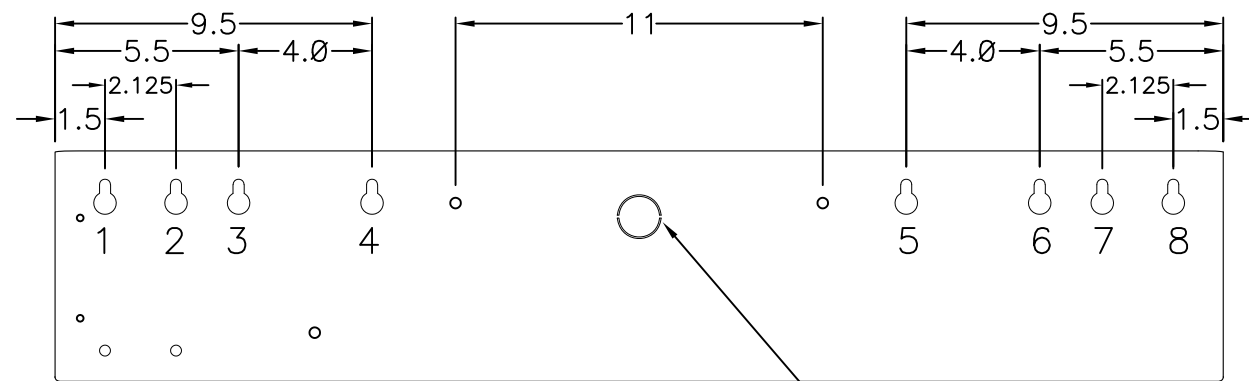


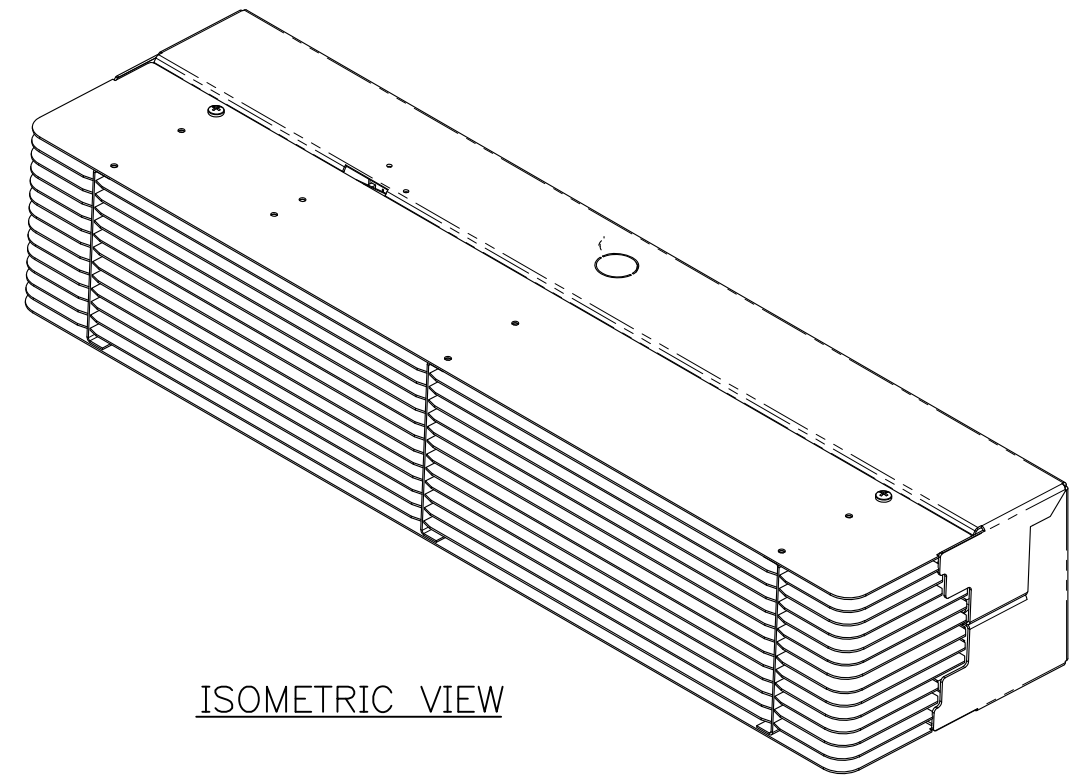
TOP VIEW



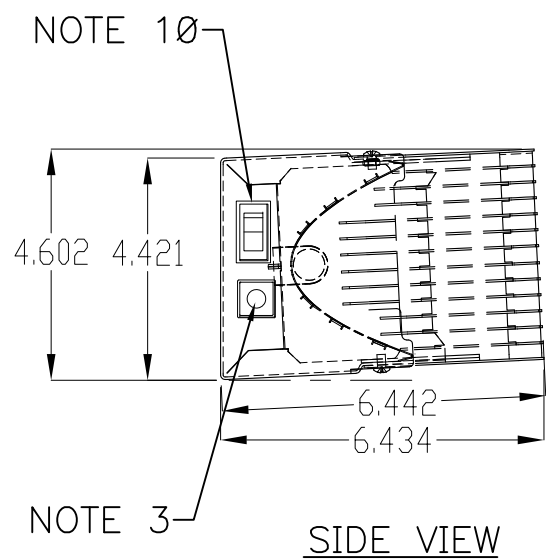
FRONT VIEW



REAR VIEW



ISOMETRIC VIEW



SIDE VIEW

MODEL	A	W [LBS]	WALL MOUNTING HOLE	MOUNTING BRACKET
GLO-150	14.25"	6	1,8	11" CENTERED
GLO-225	23.25"	8	1,2,7,8	11" CENTERED
GLO-310	35"	10	3,4,5,6	11" CENTERED

- NOTES:
1. ALL ALUMINUM CONSTRUCTION.
 2. COMPUTER DESIGNED REFLECTOR.
 3. HOSPITAL GRADE U-GROUND POWER CORD.
 4. 2 - 1/2" KNOCKOUTS FOR HARDWARE OPTIONS.
 5. MOUNTING KEY HOLES.
 6. 120-277V POWER SUPPLY.
 7. WARNING LABELS INCLUDED.
 8. HIGH POWER UV-C LAMP.
 9. BUILT-IN COVER SAFETY SWITCH.
 10. ON/OFF POWER SWITCH.

- OTHER:
1. REFER TO PRODUCT IOM FOR INSTALLATION DETAILS.
 2. FIXTURE MUST BE MOUNTED 7 FEET OR HIGHER.
 3. CAUTION: DO NOT OPERATE FIXTURE WITHOUT BAFFLES SECURED.
 4. CAUTION: DO NOT LOOK INTO A LIT FIXTURE AT ANY TIME.
 5. CAUTION: TURN OFF FIXTURE WHEN SERVICING.
 6. CAUTION: WEAR GOGGLES AND A FULL FACE MASK WHEN WORKING AROUND THIS UNIT.
 7. CAUTION: DO NOT LET ANY LIGHT STRIKE YOUR EYES WHEN DE-ENERGIZING.

UNLESS OTHERWISE SPECIFIED
DIMENSIONS ARE IN INCHES
TOLERANCES ARE:

FRACTIONS	DECIMALS	ANGLES
+/-	.X+/- .060	+/- 1
	.XX+/- .030	
	.XXX+/- .010	

Rev	Date	Description
UVR UV RESOURCES		
Description: GLO™- UPPER AIR UV-C FIXTURE		
PN: 41824000, 41824001, 41824002		
Rev: 0	Date: 5/21/20	Dwg No. 41003522
		1 of 1