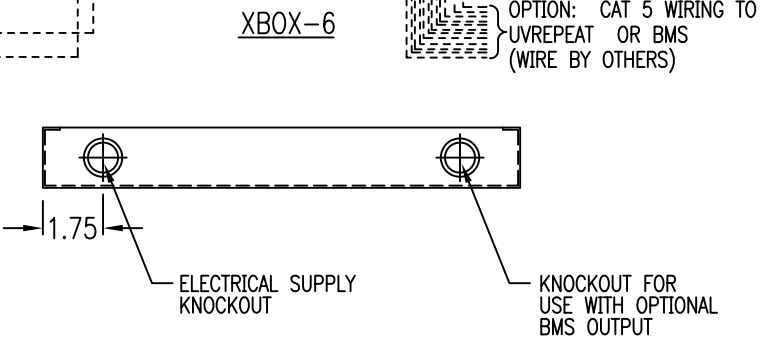
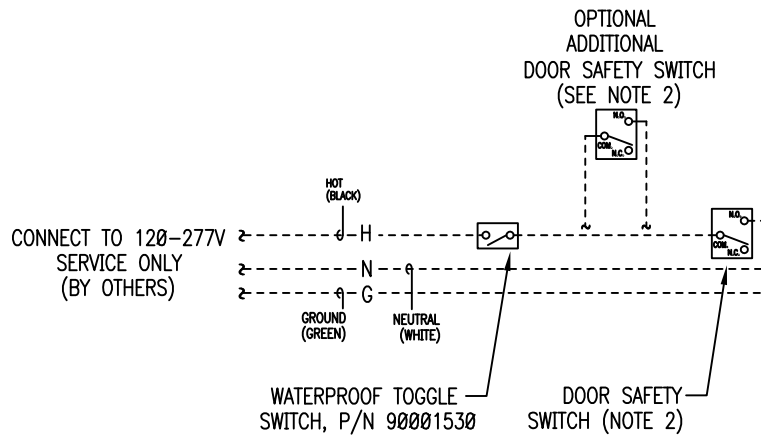
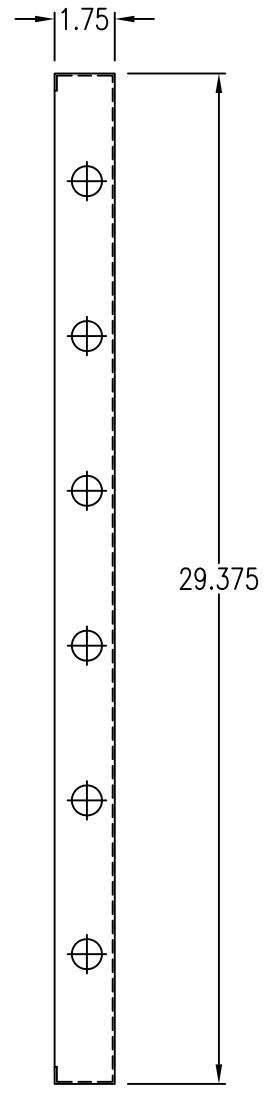
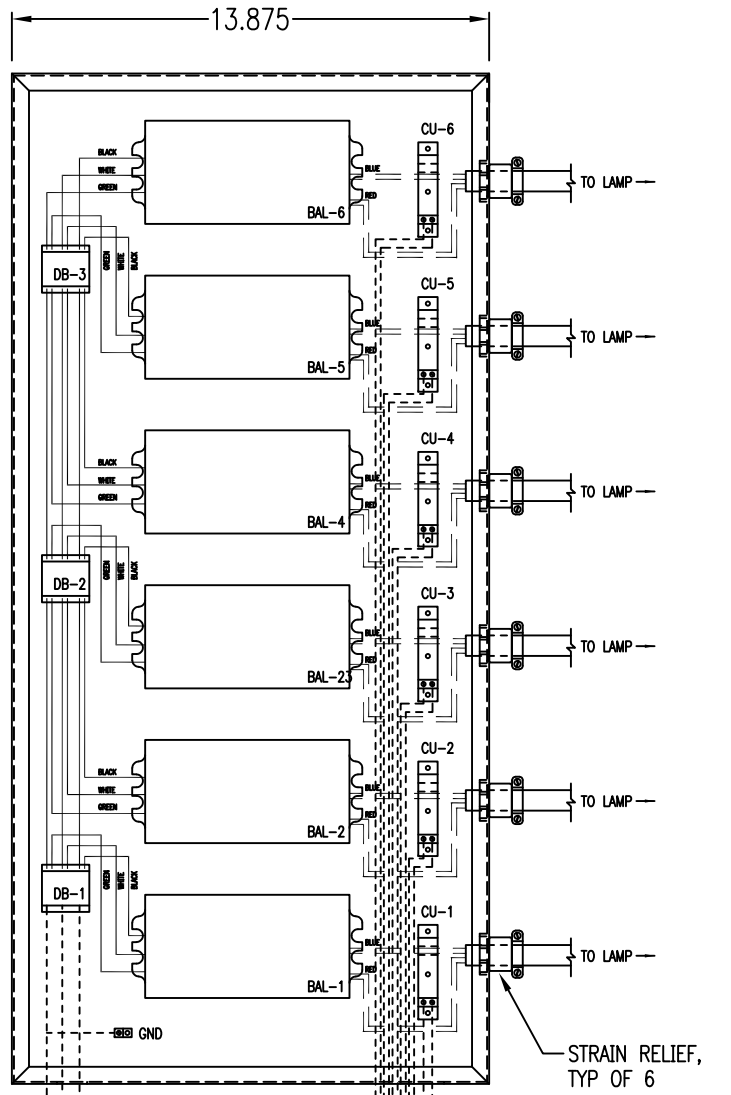


NOTES

- 1) WATERPROOF TOGGLE SWITCH PROVIDED BY UVRESOURCES, FIELD INSTALLED BY OTHERS.
 - 2) DOOR SAFETY SWITCH SUPPLIED BY UVRESOURCES, FIELD INSTALLED BY OTHERS. SWITCH IN NORMALLY OPEN POSITION UNTIL CASING PANEL IS INSTALLED.
 - 3) CONSULT LOCAL BUILDING CODES AND THE NEC FOR ANY SPECIAL REQUIREMENTS.
 - 4) CAUTION: NEVER LOOK AT LIT LAMPS - PROTECT BOTH EYES AND SKIN.
- _____ WIRING PROVIDED BY UVRESOURCES
 - - - - - WIRING LOOM PROVIDED BY UVRESOURCES AND INSTALLED BY OTHERS
 - - - - - WIRING PROVIDED BY OTHERS AND INSTALLED BY OTHERS



Rev	Date	Description
B	12/6/18	GENERAL REVISIONS
A	3/9/16	REVISED DRAWING NUMBER
Ø	10/20/13	FIRST ISSUE
UVR UV RESOURCES		
Description: X-BOX 6P INSTALLATION WIRING DIAGRAM		
PN: -		
Rev:	Date:	Dwg No.
B	10/19/13	55000846