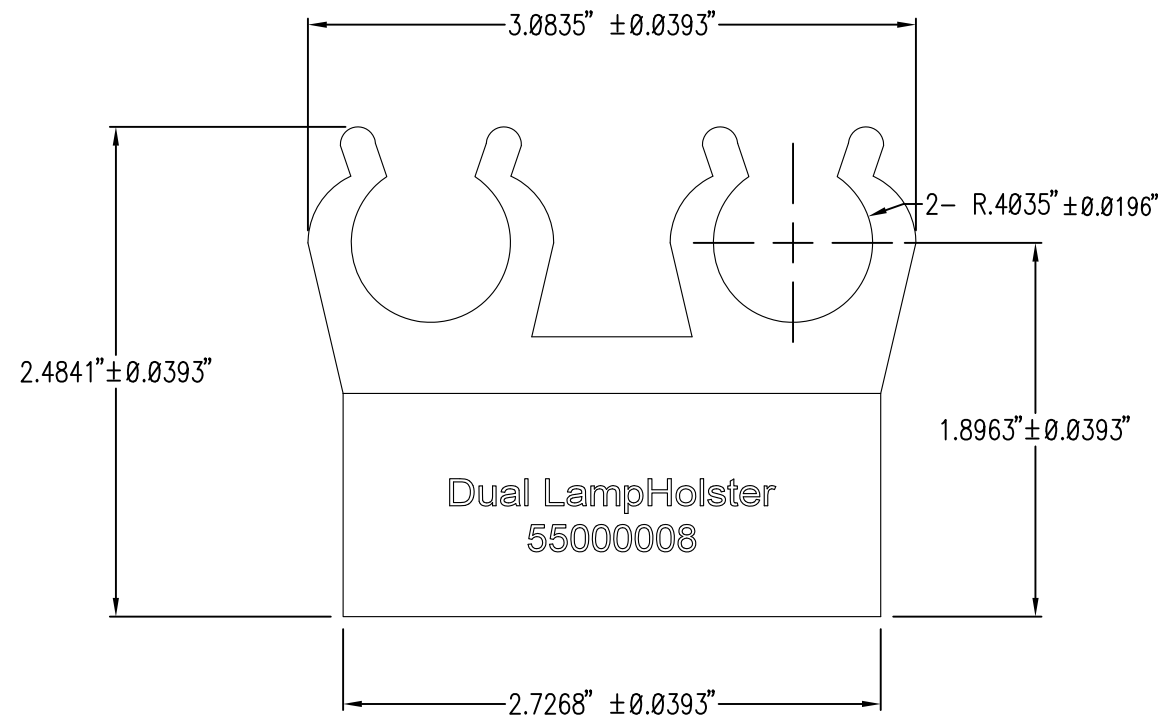
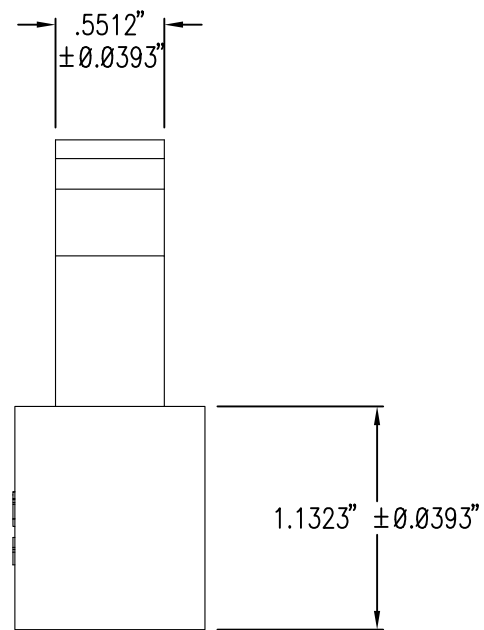


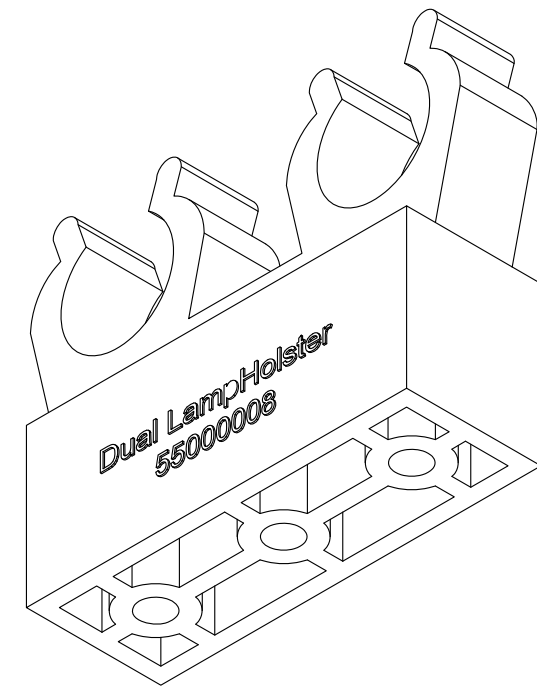
TOP VIEW



FRONT VIEW

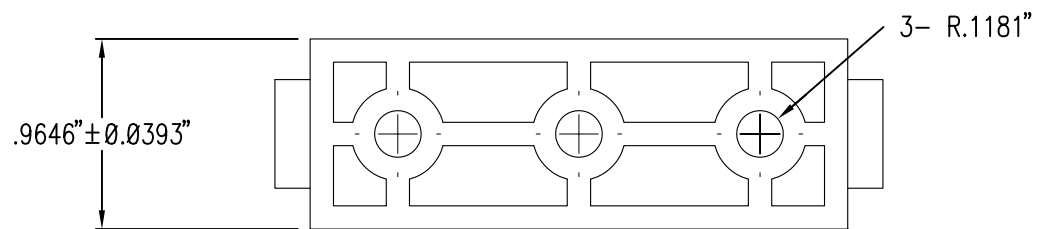


SIDE VIEW




ISOMETRIC VIEW

SPECIFICATIONS:  
 MATERIAL: POLYCARBONATE  
 COLOR: BLACK



BOTTOM VIEW

Rev	Date	Description
0	12/6/13	FIRST ISSUE
		
Description:		DUAL LAMPHOLSTER
PN:		55000008
Rev: 0	Date: 12/6/13	Dwg No. 98000008
		1 of 1