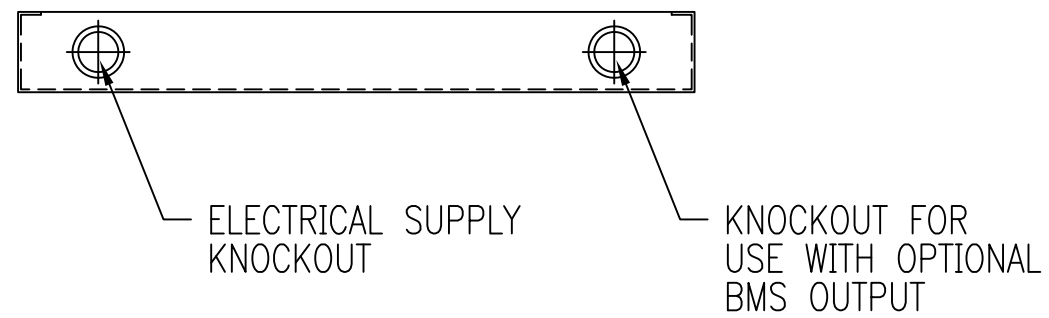


OPTION: CAT 5 WIRING TO
UVREPEAT OR BMS
(WIRE BY OTHERS)



A	3/9/16	REVISED DRAWING NUMBER
Ø	3/8/16	FIRST ISSUE
Rev	Date	Description
UVR UV RESOURCES		
Description:		X-BOX 1P INSTALLATION WIRING DIAGRAM
PN:		-
Rev:	Date:	Dwg No.
A	3/8/2016	55000841
		1 of 1