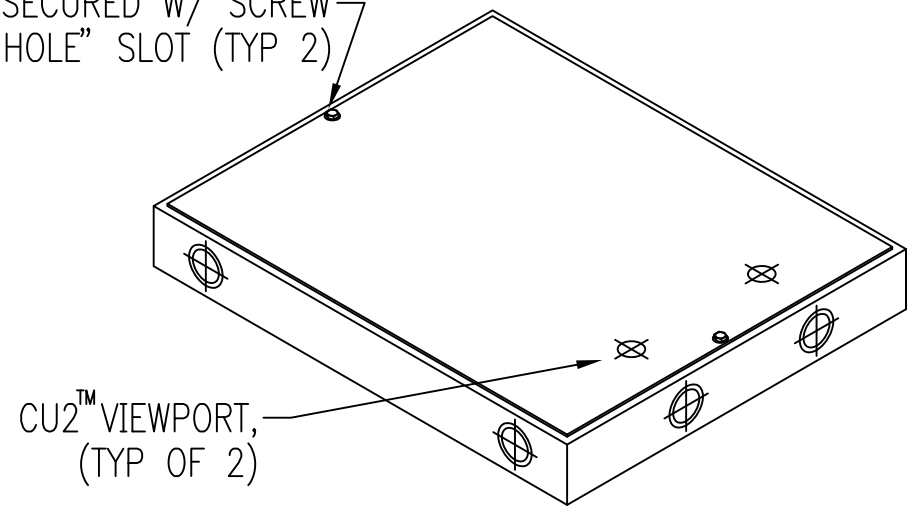


TOP SECURED W/ SCREW  
& "KEY HOLE" SLOT (TYP 2)



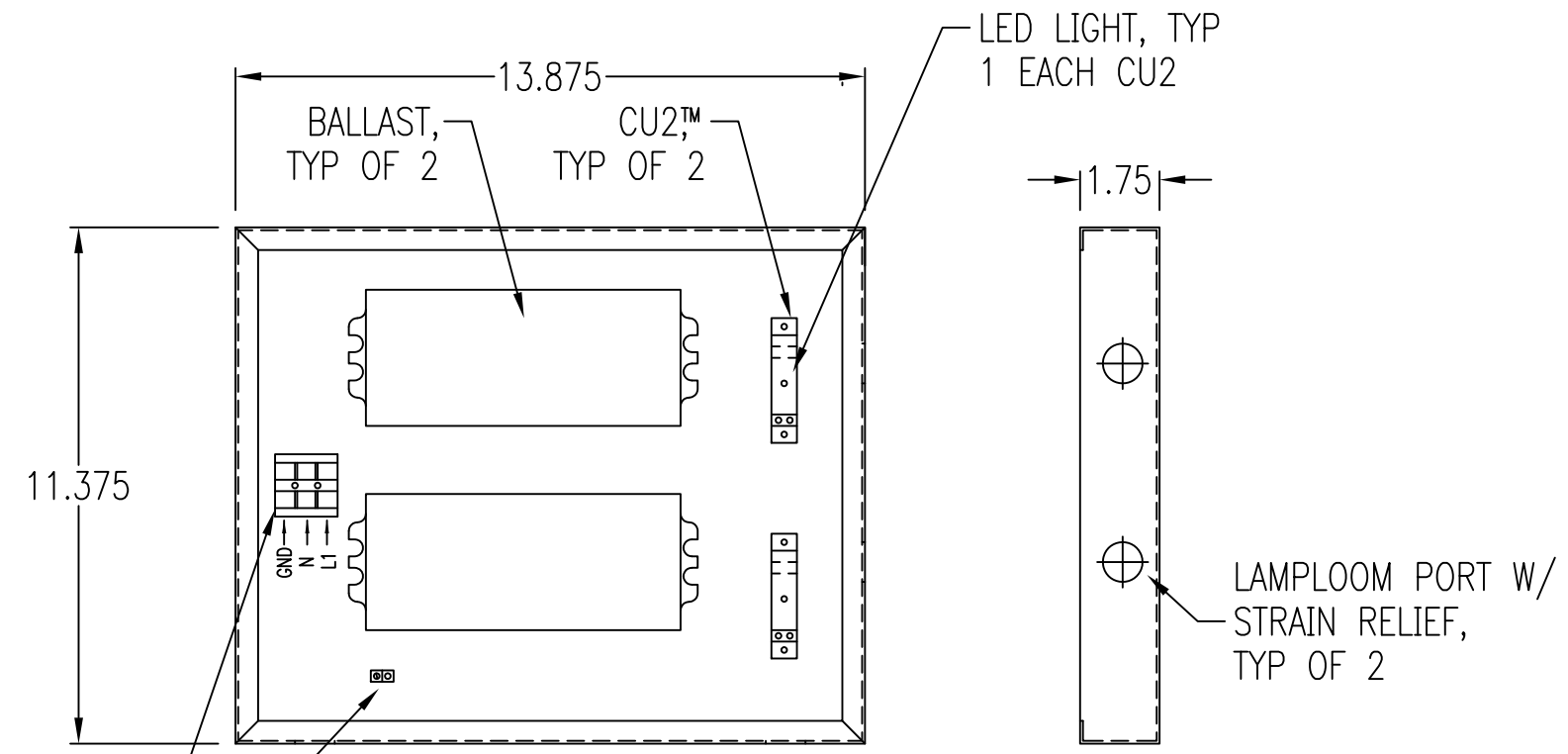
ISOMETRIC VIEW (NTS)  
W/ COVER INSTALLED

NOTES:

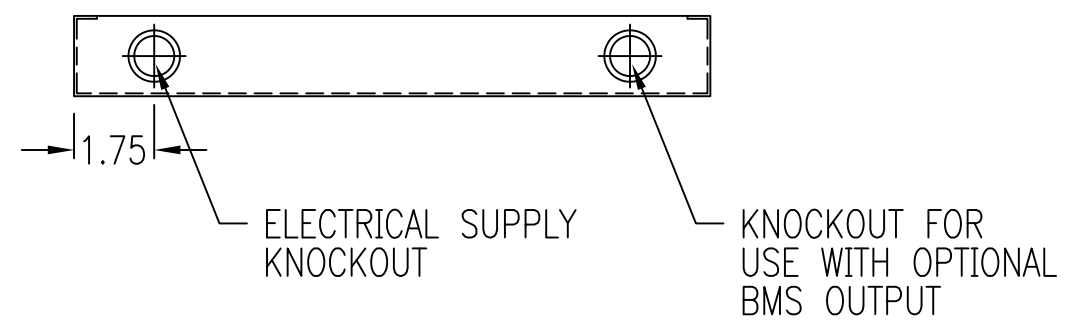
1. 2Ø AWG POWDER COATED GALVANIZED STEEL.
2. NEMA 2/1P11 - INDOOR USE.
3. POWER SUPPLY - 120-277V (240V REC) UL/CULCE/CSA LISTED.
4. TERMINAL BLOCK - WIRE SIZES 20-12 AWG, 300V/20A, 600V/5A UL RECOGNIZED.
5. CU2™ 0V-5V ANALOG OUTPUT LAMP/BALLAST SIGNAL CURRENT SWITCH - ON/OFF.

GENERAL:

1. CONSULT PRODUCT IOM FOR INSTALLATION DETAILS.
2. USE OF INTERLOCK SWITCHES ON ALL ACCESSES TO UV-C LAMPS RECOMMENDED.
3. CUT-OFF SWITCH ON EXTERIOR OF PLENUM NEXT TO UV-C LAMP ACCESS RECOMMENDED.
4. CAUTION: NEVER LOOK AT LAMPS WHEN LIT - EYE AND SKIN DAMAGE MAY RESULT FROM EXPOSURE.
5. SHOCK HAZARD: DISCONNECT POWER SUPPLY.



XBOX-2 LAYOUT



Rev	Date	Description
A	3/9/16	REVISED DRAWING NUMBER
Ø	10/20/13	FIRST ISSUE
<b>UVR</b> UV RESOURCES		
Description:		X-BOX 2P PANEL LAYOUT
PN:		-
Rev:	Date:	Dwg No.
A	10/19/13	55000342