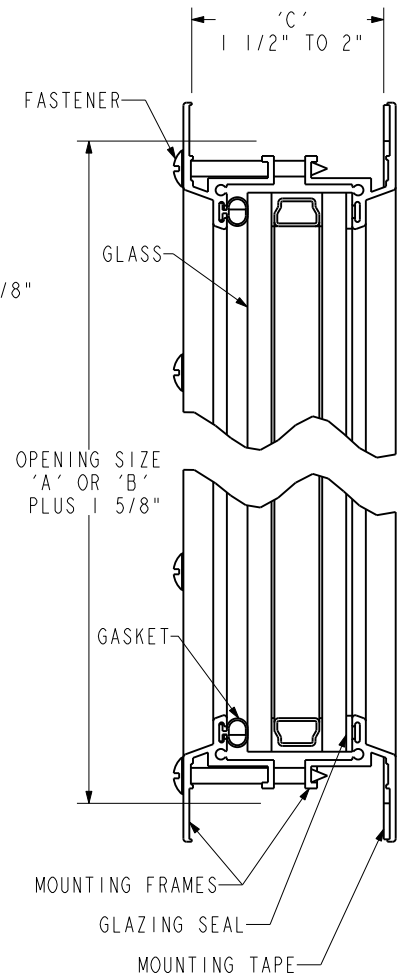
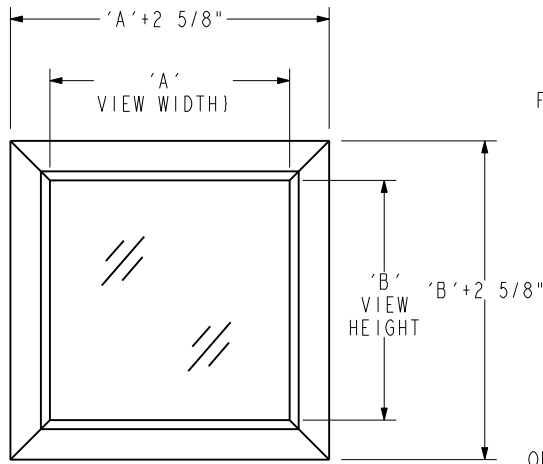
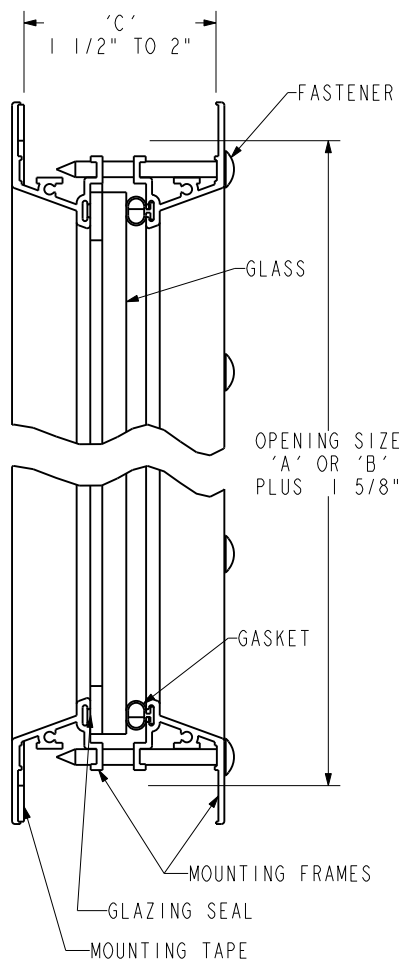


MODEL VP2

MODEL VP2TB



ALL MODEL VIEWPORTS ARE IN COMPLIANCE WITH UL 1995, 2nd EDITION, STANDARD FOR SAFETY HEATING AND COOLING EQUIPMENT.

CONFIDENTIAL ITM4 RESERVES ALL PATENT, PROPRIETARY AND REPRODUCTION RIGHTS OF THE CONTENTS OF THIS DOCUMENT. THIS INFORMATION SHALL NOT BE USED OR DISCLOSED TO ANY PERSON WITHOUT WRITTEN AUTHORIZATION FROM AN ITM4 REPRESENTATIVE.

SCHEDULE

ITEM	QTY	MODEL		VIEWING SIZE		WALL SIZE	IDENTIFICATION
		VP2	TB	*'A' WIDTH	*'B' HEIGHT	'C' DEPTH	
		VP2					
		VP2					
		VP2					
		VP2					

NOTES

- *1. UNLESS OTHERWISE SPECIFIED, VIEWPORT WILL BE FABRICATED TO LISTED VIEWING SIZE. WALL OPENING SIZE IS EQUAL TO VIEWING SIZE PLUS 1 5/8", LEAVING 1/8" MOUNTING CLEARANCE.
- 2. MINIMUM VIEWPORT SIZE 6" SQUARE, MAXIMUM VIEWPORT SIZE 24" SQUARE. STANDARD SQUARE SIZES AVAILABLE IN EVEN 2" INCREMENTS, CONSULT FACTORY ON SPECIAL SIZES.
- 3. MODEL VPTB WITH SIZES SMALLER THAN 8" WILL HAVE 1/4" LAMINATED GLASS IN-LIEU OF 1/4" TEMPERED GLASS, ON INTERIOR THERMAL PANE. OPTIONAL 1/4" WIRE OR PLEXIGLASS AVAILABLE.
- 4. REFER TO INSTALLATION INSTRUCTIONS FOR MOUNTING OF VIEWPORT.

SPECIFICATIONS

MOUNTING FRAMES
.062 6063-T5 EXTRUDED ALUMINUM

MOUNTING TAPE
CLOSED CELL PVC FOAM

GASKET
EXTRUDED PVC BULB

GLASS
MODEL VP - 1/4" LAMINATED
MODEL VPTB - 1/4" LAMINATED AND 1/4" TEMPERED, INSULATED THERMAL PANE WITH DESICCANT

GLAZING SEAL
SIKAFLEX
FASTENERS
NO. 8 SHEETMETAL SCREW, ZINC PLATED
FINISH
MILL