

# GENERAL INSTALLATION INSTRUCTIONS

## STINGER™



**CAUTION! Never Expose Eyes or Skin to UV-C - Read all Materials before Starting**

### APPLICATION:

The Stinger's unique "low-voltage" 24V power supply efficiently delivers 18 Watts of UV-C power to most any application. Its lamp and socket are water-resistant, and 24V means that powering it, without danger of shock, fire or code issues becomes quite simple. It also makes for a safe and affordable installation that meets most electrical codes. UVR's Stinger installs from the exterior of HVAC equipment. There is no need to open or compromise the equipment, making Stinger ideal for germicidal "target" sites that are difficult to access such as fan coils, heat pumps, unit ventilators, terminal units or individual duct runs. Simply create a 2 7/8" insertion hole with the supplied hole saw at the intended site, mount the fixture (with optional reflector to block/direct UV energy) and soft-wire it to a suitable 24V source as needed (24V wall adapter supplied). The Stinger helps eliminate poor system performance, clogged drain pans and the potential for drain pan overflows which can damage ceiling panels, carpets, walls and/or space equipment as well as creating unpleasant odors.

**NOTE: THE HORNET IS RATED AT 22VA. IT IS RECOMMENDED THAT THE ANTICIPATED 24V SOURCE BE CHECKED FOR ITS ABILITY TO SERVICE A 22VA LOAD. A SEPARATE TRANSFORMER IS RECOMMENDED.**

### SAFETY CONSIDERATIONS

Improper installation, adjustment, alteration, service, maintenance, or use can cause fire, electrical shock, or other conditions which may cause personal injury or property damage. Consult a qualified installer, service agency, or your supplier for information or assistance. The qualified installer or agency must use factory kits or accessories when installing this product. Refer to the individual instructions packaged with kits or accessories when installing them. Follow all safety codes, wear safety glasses and work gloves. Read all instructions thoroughly and follow any warnings or cautions attached to any accessed area. Consult local building codes and the National Electrical Code (NEC) for all applicable requirements.

Understand the signal words DANGER, WARNING or CAUTION. These words are universally used for overall safety. DANGER identifies the most serious hazards, which will result in severe personal injury or death. WARNING signifies hazards, which could result in personal injury or death. CAUTION is used to identify unsafe practices, which would result in minor personal injury or product and property damage.



**WARNING:** Before installing or servicing this unit, turn off all power, there may be more than one (1) switch.

### General:

1. Stinger Fixtures can be used to bathe surfaces, the air or both with UV-C energy. For surfaces locate the Stinger at known growth areas such as the coil and drain pan first, then other moist areas around humidifiers, etc. They can also be placed in return, supply and mixed air plenums or any combination of locations.
2. First, check for power availability (24V) and probable service accesses.

### Power Ratings:

The STINGER is rated at **24V (+/-10%)-50/60Hz**.

### Installation (designed for metal plenums/drain pans only):

1. Consult all applicable codes before installing. Check fixture label(s) for the correct power requirements and supply the correct voltage from a suitable, protected (fused or breaker), and grounded power source.



**CAUTION: Using other than labeled voltage voids product warranty and may do added damage to the entire system. Fixtures should be operated continuously to avoid growth of mold and bacteria under optimum conditions (AHU off).**

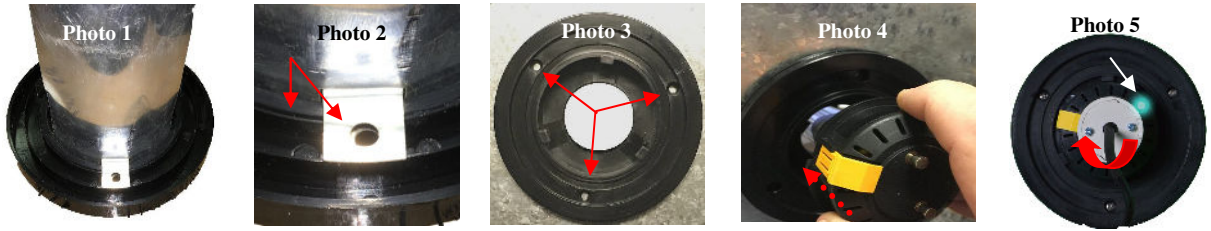
2. Power must also be switched at all install access points with a properly rated, SPST interlock switch to completely de-energize the assembly when its install location is accessed. Accesses are to have signs in appropriate languages alerting maintenance personnel to the possible hazard of looking at, or exposing skin to UVC energy (English label(s) provided).
3. Once the mounting location is identified, apply the supplied sticker to the metal surface and use sticker template to cut hole (using supplied 2 7/8" hole saw).



**CAUTION: DO NOT DRILL INTO A REFRIGERANT LINE, OR FAN, ETC.**

**CAUTION: AFTER CUTTING HOLE AVOID SHARP EDGES**

4. If the reflector will be used, slide it into the mounting ring between the rubber gasket and the plastic, align the screw holes of the reflector and the mounting ring (Photo 1 & 2).
5. Slide mounting "ring" into unit, insuring that the reflector is facing the proper direction and secure with 3 Phillips screws provided (Photo 3).

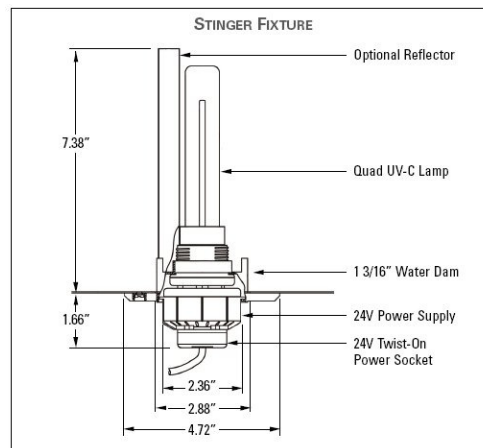


6. Insert lamp into power supply socket
7. Insert power supply into duct thru mounting ring turn it clock-wise until power supply is fully installed (Photo 4)
8. Slide up yellow locking clip to lock power supply into mounting ring (Photo 4).

**Note:** UV-C energy may damage other plastics. Protect susceptible items with UV-C resistant materials (e.g. aluminum tape, foil or paint) when these items are in “line of sight” of UV-C energy.

#### Connecting Power:

9. Read fixture label power requirements, wire 24V-1A, AC/DC power in accordance NEC and local codes.
10. Align power “cap” (white) holes to power supply prongs and twist clockwise to secure (Photo 5)
11. The Stinger comes with a “light on” indicator – when light is on, the indicator will “glow” blue (photo 5)
12. “Soft wiring”: A 24V AC/DC adapter is provided. Plug adapter into 120V wall socket and secure.



#### Maintenance

UV-C lamps should be replaced annually. While there still may be a visible blue light, this is not an indication of UV-C output (the UV-C wavelength is invisible). Contact your local UV Resources™ distributor or visit [www.uvresources.com](http://www.uvresources.com).  
Lamp part number: 57013151.

#### EQUIPMENT WARRANTY

UV Resources™ (UVR) warrants to the original buyer that its Products shall be free from defects in material or workmanship under normal use and service for the periods of time set forth below. This warranty is contingent upon proper use of Products and will not apply if adjustment, repair or parts replacement is required because of an accident, unusual physical, electrical or electro-mechanical stress, neglect, misuse, failure of electric power, humidity control, transportation, unauthorized repair actions, or not installed or maintained in accordance with UVRs' specifications hereunder, or where Product serial numbers have been altered, defaced, or removed. UVRs' obligation under this warranty shall not arise until the Purchaser of the Product returns the defective part to UVR. This warranty is limited to the repair and/or replacement of parts. This warranty does not cover any labor or subsequent damage incurred as the result of Product failure or indirectly arising from the design, construction, installation, servicing, or operation of Products. UVR and its resellers' liability under this warranty shall in no event exceed the cost of goods sold under the original sale contract.

Under the conditions specified above, UV Resources warrants all Product fixtures for a period of one (1) year from date of purchase and all lamps for a period of 12 months from date of installation provided lamps are installed within 3 months from date of purchase. Buyer must provide proof of purchase. This is UVRs' sole warranty. No warranties are extended beyond those described herein and it is expressly agreed that this warranty will be in lieu of all warranties of fitness and merchantability. UVR neither assumes, nor authorizes any person to assume for it, any obligation in connection with the Products. Buyer shall not return to UVR any allegedly defective goods without UVRs' prior written authorization. This warranty may not be assigned or transferred.

**UV Resources™**  
**P.O. Box 800370 • Santa Clarita • California • 91380**  
**(877) 884-4822 (884-4822) • Fax: (877) 877.794.1294**  
[www.UVResources.com](http://www.UVResources.com)

*Specifications subject to change without notice - © UV Resources 2005-2017, all rights reserved.*