



X-Plus™ NEMA 4X Fixture

BENEFITS

- Patent-pending, feature packed design
- NEMA 4X construction for use anywhere
- Simplified installation, operation, and service
- No need to open equipment to change lamps
- LampClamp™ provides no tools re-lamping
- Complete safety — 2-step power lockout
- Lockable access prevents unauthorized service
- Typical install provides 360° UV-C distribution
- Light, reinforced, polycarbonate construction
- Minimal solar gain maximizes component life
- Easy wiring to power and additional fixtures
- Lowest ownership cost of any NEMA 4X fixture
- 3 year fixture, 1 year lamp warranties
- UL Listed under all ABQK categories

UV-C's ability to disinfect and degrade organic material is well established in both research and application (ASHRAE, Science, GSA and the CDC). UV-C systems are also one of the industry's most favored maintenance and energy tools. Besides uses for disinfecting airstreams, their principal use is in keeping coils, drain pans, and other internal services free of microbes, and organic dirt and grime—materials that produce odor, reduce airflow and cooling capacity, and, thus, affect occupant productivity!

The X-Plus™ combines high performance and simplicity in an affordably priced, single-ended lamp device that can be installed almost anywhere UV-C is needed. Exceptional safety features include a lockable entry for outdoor pedestrian areas (through-the-wall units—such as schools, etc.) and two power interlocks to preclude exposure and electrical shock.

X-Plus can be used in airstreams of 1–77°C, 100% RH, and any velocity. Its NEMA 4X design is perfect for rooftop, through-the-wall, and other outdoor units. Versatile lamp lengths of 17 to 61 inches make it perfect for use on both small and large AHUs.

Application

X-Plus installs from the exterior of A/C equipment or ductwork. It's perfect for hard to access outdoor and indoor equipment of up to 30 tons and over. It can be installed either vertically or horizontally by making a simple 1-inch hole for the lamp, and it properly attaches to surfaces with self-drilling screws (included). Each fixture has four 1/2-inch electrical knockouts for convenient wiring to both power and additional units, if used. A rubber gasket seals between the fixture and its install site to ensure a leak-free install (included).

NEMA 4X

X-Plus

REPRESENTED BY:

UVR UV RESOURCES

Corporate Office
P.O. Box 800370
Santa Clarita, CA 91380-0370
Phone 877.884.4822
Fax 877.794.1294
Website www.UVRresources.com

CONSTRUCTION

FIXTURES are exterior mount, single-ended lamp, factory-assembled types constructed of reinforced polycarbonate for use outdoors. They consist of a NEMA 4X rated Housing and Driver, LampClamp/Holder, Housing Cover, and Lamp and are UL Listed – ABQK.

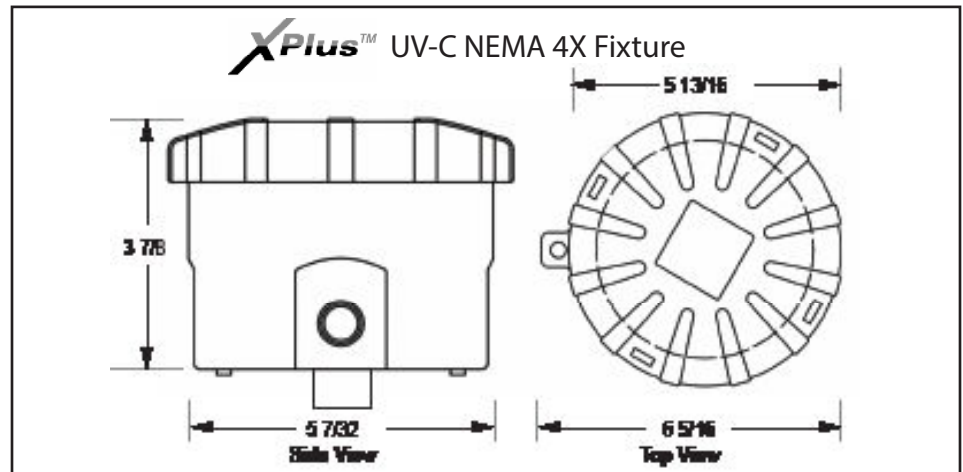
HOUSING/COVER includes a lamp support for lamp lengths to 61", an O-ring to seal the interior against the elements and a rubber gasket to seal between the mounting surface and housing. The housing contains all components in one assembly for maximum safety and serviceability without the use of tools. The cover incorporates a disrupt lever to actuate the interlock switch on and off and eyelets to lock against unwanted entry. It has four (4) 1/2-inch electrical knockouts and four (4) mounting holes to facilitate installation.

DRIVER is a UL Listed 120–240 Vac ±10% 50–60 Hz, high power factor, low THD, Class P, Sound Rated "A", auto-matching, Type 1 Outdoor type with thermal and end of lamp-life protection and no PCB's. It maximizes lamp output, energy efficiency and reliability in lamp lengths from 17 to 61 inches, air of 1° to 70° C and any velocity. It is equipped with an interlock switch and power plug for power lockout during service. It is warranted for three (3) years.

LAMPCLAMP/HOLDER provides adjustable compression of flutes that secure the lamp base within the Holder and provides a watertight seal. Lamp receptacle pins are soldered to the driver for pull-proof connectivity and reliability.

LAMPS are Watt rated, high-output, hot cathode, T5, single-ended types that operate in air of 1–77°C and any velocity. They provide 360° irradiation and do not produce ozone. Their extended bases and filaments extend into the airstream

on double-wall plenums. Useful life is 9000 hours with a <15% loss at end of life.
*Contact factory for wiring to 277 Vac power sources.



ORDERING INFORMATION

Model #	P/N	Description	Electrical	Weight (Lbs)
FIXTURE HOUSING				
XP-SO-MV	57800550	X-Plus Singled Ended NEMA 4X Standard UVC Output – 120–240 Vac; Lamp Lengths from 17" to 61"	120–240 V, 50–60 Hz, 0.38–0.61A @ 120 V	1.5
LAMPS (Order 1 lamp of desired length per X-Plus fixture. Fixture ships without lamp.)				
SEL-17-SO-T5-1	57033551	SEL 17" Single Ended Standard Output Lamp		1
SEL-22-SO-T5-1	55043551	SEL 22" Single Ended Standard Output Lamp		1
SEL-23-SO-T5-EF-1	57013551	SEL 23" Single Ended Standard Output-Extended Base	NEW	1
SEL-33-SO-T5-1	55063551	SEL 33" Single Ended Standard Output Lamp		1
SEL-36-SO-T5-EB-1	57073551	SEL36"SingleEndedStandardOutputLamp-ExtendedBase	NEW	0.75
SEL-45-SO-T5-EB-1	57083551	SEL45"SingleEndedStandardOutputLamp-ExtendedBase	NEW	1
SEL-60-SO-T5-EB-1	57093551	SEL60"SingleEndedStandardOutputLamp-ExtendedBase	NEW	2
ACCESSORIES				
SDT-480-240	90004883	Step-Down Transformer 480V to 240V 180VA	480 to 240 Vac	3
XP-120-SC	90004300	6' Power Cord		0.5

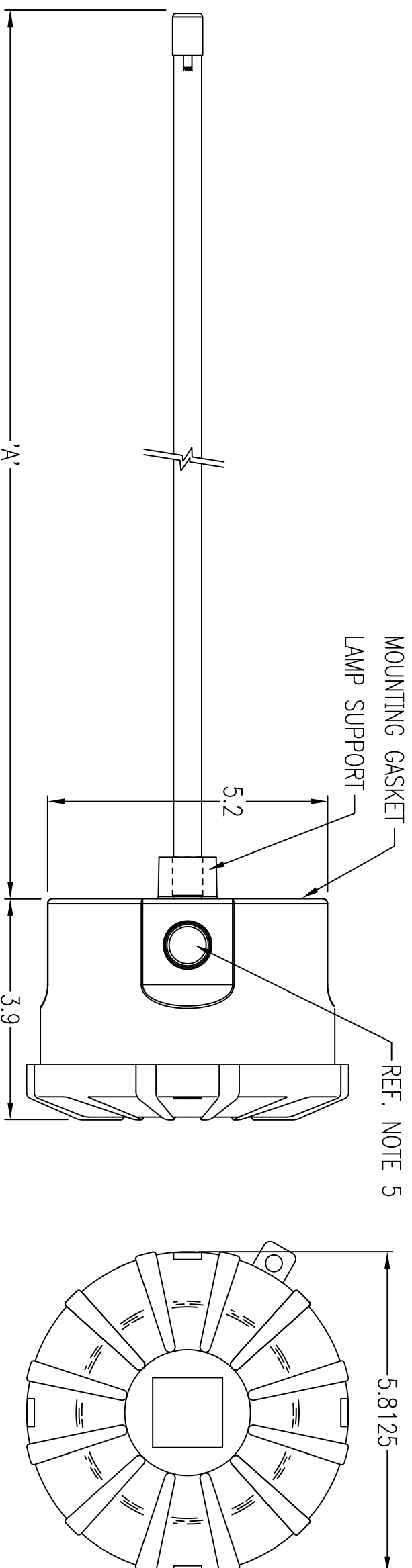
The health aspects associated with the use of this product and its ability to aid in the disinfection of environmental air have not been investigated by UL.



Specifications subject to change without notice.

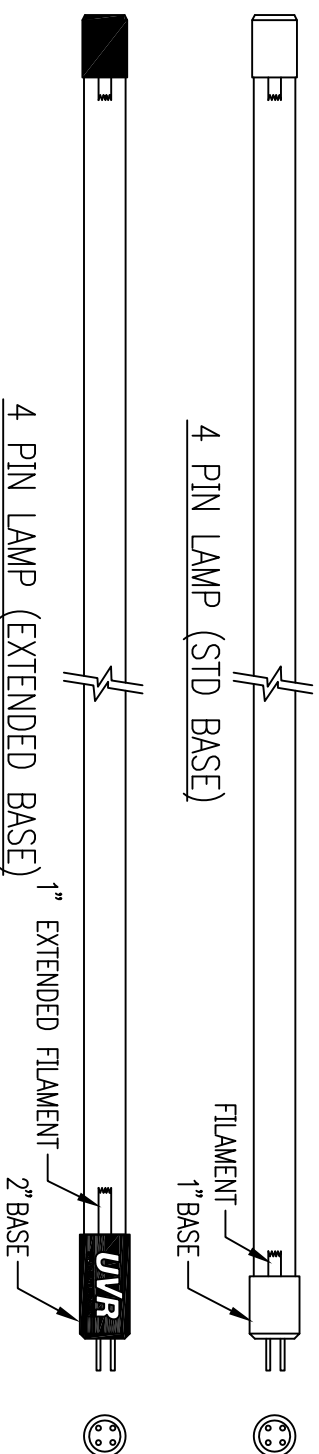
© UV Resources 2005–2022 57003520 Rev G

The UVR website contains tools that let you select, specify, and/or purchase complete UV-C systems. You'll also find valuable content that will help simplify installation, operation, and maintenance of UV-C systems. For more information, go to www.uvresources.com



PLAN VIEW

END VIEW



NOTES:

1. UL/CUL LISTED.
 2. NEMA 4X ENCLOSURE FOR OUTDOOR OR INDOOR USE.
 3. TWIST-ON LID WITH WATERPROOF GASKET.
 4. FOR USE WITH SO LAMP LENGTHS 17"-60".
 5. (4) 1/2" ELECTRICAL KNOCKOUTS.
 6. LOCKING PADLOCK EYELETS (TAMPER PROOF).
 7. (4) MOUNTING HOLES.
 8. POWER SUPPLY SAFETY SWITCH INCLUDED.
 9. 3 YEAR WARRANTY
- GENERAL:
1. REFER TO PRODUCT IOM FOR INSTALLATION DETAILS.
 2. USE INTERLOCK SWITCHES ON ALL ACCESSSES TO LAMPS.
 3. CAUTION: NEVER LOOK AT LAMPS WHEN LIT - EYE AND SKIN DAMAGE MAY RESULT FROM EXPOSURE.

PARTS LIST

'A' DIM	QTY	MODEL#	PART #	DESCRIPTION
-		XP-SO-MV	57800550	X-PLUS SINGLE ENDED NEMA 4X FIXTURE, 120-240 VAC *
17"		SEL-17-SO-T5-1	57033551	SEL 17" SINGLE ENDED STANDARD OUTPUT LAMP
22"		SEL-22-SO-T5-1	55043551	SEL 22" SINGLE ENDED STANDARD OUTPUT LAMP
23"		SEL-23-SO-T5-EB-1	57013551	SEL 23" SINGLE ENDED STANDARD OUTPUT LAMP-EXTENDED BASE
33"		SEL-33-SO-T5-1	55063551	SEL 33" SINGLE ENDED STANDARD OUTPUT LAMP
36"		SEL-36-SO-T5-EB-1	57073551	SEL 36" SINGLE ENDED STANDARD OUTPUT LAMP-EXTENDED BASE
45"		SEL-45-SO-T5-EB-1	57083551	SEL 45" SINGLE ENDED STANDARD OUTPUT LAMP-EXTENDED BASE
60"		SEL-60-SO-T5-EB-1	57093551	SEL 60" SINGLE ENDED STANDARD OUTPUT LAMP-EXTENDED BASE

* CONTACT FACTORY FOR USE WITH 277VAC.

DRAWING NAME:

LOCATION:

LAMP WATTS PER SQUARE FOOT:

CONTACT:

AHU TAG:

ENGINEER:

APPLICATION PRESSURE DROP:

REP FIRM:

QUOTE NO:

CONTRACTOR:

TOTAL ELECTRICAL WATTS:

UVR
UV RESOURCES
 PO BOX 800370
 SANTA CLARITA, CA 91380 USA
 Ph.: 877.UV4.HVAC FAX: 877.794.1294

GENERAL INSTALLATION INSTRUCTIONS - X-Plus™



CAUTION! Never Expose Eyes or Skin to UV-C - Read all Materials before Starting

SAFETY CONSIDERATIONS

Improper installation, adjustment, alteration, service, maintenance, or use can cause fire, electrical shock, or other conditions which may cause personal injury or property damage. Consult a qualified installer, service agency, or your supplier for information or assistance. The qualified installer or agency must use factory kits or accessories when installing this product. Refer to the individual instructions packaged with kits or accessories when installing them. Follow all safety codes, wear safety glasses and work gloves. Read all instructions thoroughly and follow any warnings or cautions attached to any accessed area. Consult local building codes and the National Electrical Code (NEC) for all applicable requirements.

Understand the signal words DANGER, WARNING or CAUTION. These words are universally used for overall safety. DANGER identifies the most serious hazards, which will result in severe personal injury or death. WARNING signifies hazards, which could result in personal injury or death. CAUTION is used to identify unsafe practices, which would result in minor personal injury or product and property damage.



WARNING: Before pre-evaluation, installation or servicing the X-Plus, turn off all power, there may be more than one (1) switch.



CAUTION-UV Exposure Precautions:

1. Doors, covers, lamp mounting brackets, access panels, and removable components that give direct access to Ultraviolet (UV) lamp systems shall be equipped with an interlocking mechanism that removes power from the Ultraviolet (UV) lamp system
2. There should be no openings, holes or joints that allow UV light leakage
3. Drain pans shall be metallic
3. Some UV installations may require protective barriers (not supplied) to protect users, service personnel and non-metallic parts from UV energy.

Barriers (if required, not supplied):

1. Barrier should be constructed of a material that will not be affected by UV energy (e.g. metal)
2. Non-Metallic materials may be protected by directly attached barriers such as aluminum coated tape.
3. Both the unit inlet and outlet should be considered as possible Ultraviolet (UV) radiation paths when determining barrier locations.
4. The unit filters are not considered Ultraviolet (UV) radiation barriers.
5. *Removable barriers shall be marked with the words "Caution" and the following or equivalent: "UV LIGHT SOURCE - KEEP PROTECTIVE BARRIER IN PLACE"*



CAUTION-Material Exposure / degradation:

1. Any non-metallic parts exposed to UV shall be shielded
Note: Metallic barriers, and aluminum tape are appropriate means of shielding. Non-metallic parts include, but not limited to, conductors, connectors, enclosures, housings, drain pans, support pieces, gaskets and filters.
2. Protective materials can include barriers (referenced above), conduit, aluminum tape, etc. Please reference ASHRAE® 2016-Systems and Equipment handbook for additional information¹.
3. Inorganic materials such as glass, glass fibers, and metal are not affected by UV-C exposure¹²³.
4. Shield all organic material components within 5 ft (1.5 m) of the UV lamp¹

General:

1. The X-Plus fixture is NEMA 4X rated for outdoor use and can be used on the exterior of air handlers and/or ducts to bathe surfaces, moving air or both with UV-C energy. For surfaces locate the X-Plus at known growth areas such as the coil and drain pan first, then other moist areas around humidifiers, etc. They can also be placed in return, supply and mixed air plenums or any combination thereof. Perfect for all rooftop A/C equipment applications.
2. Check for power availability and probable service access.

¹ ASHRAE-2016. UV-C Photodegradation of Materials. Systems and Equipment Handbook. 17.5-17.6

² Kaufman, R.E. 2017. Study the HVAC System Photodegradation Caused by the Low Level UVC Light Irradiance Used for Coil Maintenance and Air Stream Disinfection. ASHRAE Research Project 1724, Final Report

³ Kauffman, R. 2011. Study the degradation of typical HVAC materials, filters and components irradiated by UVC energy. ASHRAE Research Project RP-1509, Final Report.

Power Ratings:

The X-Plus is rated for 120-240Vac 50-60Hz, single phase. NOTE: Grounding should be neutral-to-ground.

Note: Use only: "400mA" (standard output) T5 diameter, 4- pin single ended lamps – sizes 17" – 61" with this product



The health aspects associated with the use of this product and its ability to aid in disinfection of environmental air have not been investigated by UL.

- WARNING:** Eye damage may result from directly viewing the light produced by these lamps. To reduce the risk of exposure to UV radiation, take UV-radiation protective measures for personnel during servicing.
- WARNING:** This fixture is designed for use with germicidal UV-C lamps and must be installed in compliance with competent technical directions so that user's eyes and bare skin will not be subjected to injurious rays.
- WARNING:** There shall not be any supply or return air openings or any other openings that are in direct line of sight of the UV lamp.
- WARNING:** There shall not be any openings in the duct that would emit light.
- WARNING:** UV Light Hazard. To Prevent exposure to ultraviolet light, be sure the ultraviolet air treatment system is disconnected before servicing any part of the HVAC system or removing any access panel or the equivalent.
- CAUTION:** Personal Injury Hazard. Power supply can cause electrical shock. Disconnect power supply before servicing or beginning installation.
- CAUTION:** Risk of exposure to excessive ultraviolet (UV) radiation - Do not operate without complete lamp enclosure in place or if sight lens is damaged.

Power Consumption:	Electrical			
MODEL #	Watts*	Amps at 120V	Max °F	Lamp Watts
X-PLUS 17" (120-240V)	11	0.09	150°F	20W
X-PLUS 22" (120-240V)	26	0.22	150°F	25W
X-PLUS 33" (120-240V)	41	0.34	150°F	36W
X-PLUS 36" (120-240V)	46	0.38	150°F	40W
X-PLUS 45" (120-240V)	61	0.51	150°F	50W
X-PLUS 60" (120-240V)	73	0.61	150°F	75W

*To calculate amps, divide watts by supplied voltage

Compliance:



Underwriter Laboratories (UL) ABQK, Accessories, Air Duct Mounted. Tested in accordance with ANSI/UL 1995, ANSI/UL 153, ANSI/UL 1598 and ANSI/UL 867.

EPA™ Federal Insecticide, Fungicide, and Rodenticide Act (FIFRA), EPA Establishment No. 92627

What's included:

- X-Plus NEMA 4X Fixture
- X-Plus installation Kit:
 - Installation Operation Manual (IOM)
 - Door Warning Label
 - Self-Drilling Mounting Screws (x4)
 - Dielectric Grease

Installation (designed for metal plenums only):

A. Consult all applicable codes before installing. Check fixture label(s) for the correct power requirements and supply the correct voltage from a suitable, protected (fused or breaker), and grounded power source.

CAUTION: Using other than labeled voltage voids product warranty and may do damage to the entire system. Fixtures should be operated continuously to avoid the growth of mold and bacteria during optimum conditions (i.e. AHU off).

B. All UV-C system accesses must be power-interlocked from the source to turn lamp(s) off when the UV-C system is accessed. Access points should have signs in appropriate languages alerting maintenance personnel to the possible hazard of looking at or exposing skin to UV-C energy (English label provided). Lamp accesses may be equipped with glass or Lexan® windows to safely view their operation. Ordinary glass or Lexan® will typically block UV-C energy. It's recommended that any glass be tested for UV-C transmission

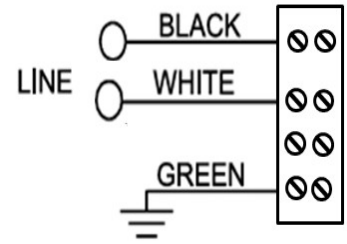
C. Once the mounting location is identified, use the X-Plus fixture housing as a template to mark lamp insertion hole on the metal surface (mounting screw holes can be marked if necessary).



- D. Drill a 1-1/8" lamp hole using proper bit (step drill bit). **CAUTION: Do not drill into refrigerant lines, electrical wires or fan, etc.**
- E. Align and insert the fixture "lamp support" (Pic. 1) into hole and attach to surface using 4 self-tapping/self-drilling screws (provided) (Pic. 3).

Connecting Power:

1. Read fixture label – be sure to sum the power requirements when installing more than one fixture. Wire with the proper 'wire gauge' in accordance with the NEC and local codes. Wire should be run thru acceptable conduit.
2. Power-in must be interruptible at all UV access points using a properly rated, SPST interlock switch to completely de-energize the UV lights when their location is accessed. Note: The X-Plus has its own interlock switch, which is actuated to de-energize the fixture when the fixture is opened.
3. Apply Entry Warning Labels on all access doors/ports/panels as indicated above (one included).

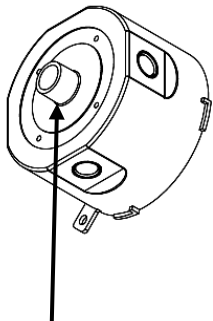


X-Plus Wiring Block

Installing Lamps

CAUTION: 60" lamps installed horizontally may need additional support.

1. Recommended: Before installing lamps they can be cleaned using isopropyl alcohol and a lint free cloth. If using a UV Resources' EncapsuLamp™- this step is not necessary.
2. If the X-Plus is assembled, remove lid, unplug "Molex" connector from top of ballast., remove the power supply screw with a Philips screwdriver (Pic. 2), and then remove the power supply.
3. Hold the Power Supply; unscrew the LampClamp™ from the Power Supply housing (Pic. 4), twisting counterclockwise and remove.
4. Coat the male 4- pin end of the lamp liberally with dielectric grease (supplied) and insert it into the power supply (note pin and plug orientation - rectangle).
5. Slide the LampClamp™ over the end of the lamp – down to the threads. A Firm, finger tight twist holds the lamp secure.
6. Insert the Power Supply, with lamp installed, through the fixture hole and into the cavity (plenum) to be irradiated.
7. Install the Power Supply screw to secure the Power Supply to the fixture and plug the power "Molex" connector back into the power supply.
8. Replace X-Plus's fixture lid and twist firmly until it stops - lock with a padlock if desired.
9. Energize the system and check to make sure that everything is working properly.



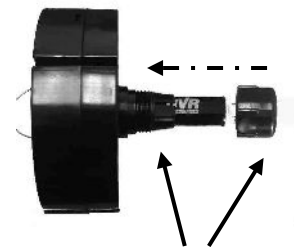
Lamp Support
Pic. 1



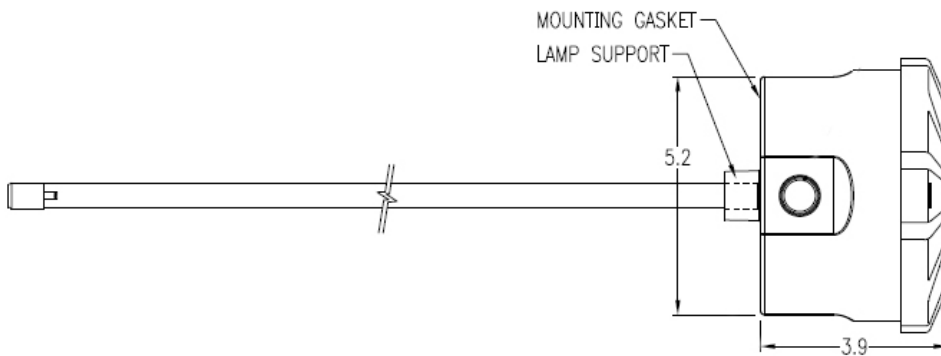
Power Supply Screw
Pic. 2



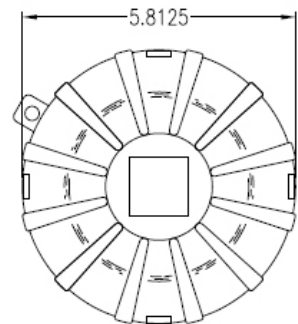
Mounting Screw
Locations (Typ. x4)
Pic. 3



LampClamp™ Assembly
Pic. 4



PLAN VIEW



END VIEW

Maintenance:

The intensity of the ultraviolet energy emitted from the UV lamps is dependent on the cleanliness and age of lamp. The surface of the lamp should be kept as clean as possible for optimum UV intensity. Depending on the filtration level of the HVAC system and the general hygiene of the building, periodic cleaning may be necessary. Before attempting any maintenance procedures, always follow all warnings and cautions as detailed in this maintenance section.

Cleaning Lamps

Note: If lamps are found to be broken, see the proper warning and cautions below regarding broken lamps and hazardous vapors.

1. Disconnect all electrical power to the unit and the UV lamps.
2. Wearing soft cloth gloves and safety glasses remove lid from X-Plus fixture, unplug "Molex" connector from ballast, unscrew the power supply screw, then remove the ballast and lamp.
3. Wipe down each lamp with a clean cloth and isopropyl alcohol. Avoid touching lamp glass with hands as skin oils can accelerate lamp degradation. (If lamps are coated with Teflon they can be touched with bare hands).
4. Reinstall lamp into X-Plus fixture.

Replacing the Lamps

Ultraviolet lamps should be replaced annually if operated continuously or after 9,000 hours of use if operated intermittently. Replacement lamps must be the specific size and wattage as originally supplied from the factory.

1. Follow above instructions for **Cleaning Lamps** and **Installing Lamps** to remove power supply and lamp.
2. Remember to apply dielectric grease to 4 pins on end of lamp before inserting into Power Supply

Note: Although the lamps may continue to generate a characteristic blue glow beyond 9,000 operating hours, the ultraviolet energy emitted by the lamps degrades over time and will no longer provide the intended benefit.

Lamp Disposal:

UV lamps should be treated the same as other mercury-containing devices, such as fluorescent lamps, according to local regulations. Most lamps must be treated as hazardous waste and cannot be discarded with regular waste. Low-mercury lamps often can be discarded as regular waste; however, some states and local jurisdictions classify these lamps as hazardous waste. The U.S. EPA's universal waste regulations allow users to treat mercury lamps as regular waste for the purpose of transporting to a recycling facility. The National Electrical Manufacturers Association (NEMA) maintains a list of companies claiming to recycle or handle used mercury lamps at www.lamprecycle.org

EQUIPMENT WARRANTY

UV Resources™ (UVR) warrants to the original buyer that its Products shall be free from defects in material or workmanship under normal use and service for the periods of time set forth below. This warranty is contingent upon proper use of Products and will not apply if adjustment, repair or parts replacement is required because of an accident, unusual physical, electrical or electro-mechanical stress, neglect, misuse, failure of electric power, humidity control, transportation, unauthorized repair actions, or not installed or maintained in accordance with UVRs' specifications hereunder, or where Product serial numbers have been altered, defaced, or removed. UVRs' obligation under this warranty shall not arise until the Purchaser of the Product returns the defective part to UVR. This warranty is limited to the repair and/or replacement of parts. This warranty does not cover any labor or subsequent damage incurred as the result of Product failure or indirectly arising from the design, construction, installation, servicing, or operation of Products. UVR and its resellers' liability under this warranty shall in no event exceed the cost of goods sold under the original sale contract.

Under the conditions specified above, UV Resources warrants all X-Plus fixtures for a period of one (1) year from date of purchase and all lamps for a period of 12 months from date of installation provided lamps are installed within 3 months from date of purchase. Buyer must provide proof of purchase. This is UVRs' sole warranty. No warranties are extended beyond those described herein and it is expressly agreed that this warranty will be in lieu of all warranties of fitness and merchantability. UVR neither assumes, nor authorizes any person to assume for it, any obligation in connection with the Products. Buyer shall not return to UVR any allegedly defective goods without UVRs' prior written authorization. This warranty may not be assigned or transferred.

UV Resources™

P.O. Box 800370 • Santa Clarita • California • 91380

(877) 884-4822 • Fax: (877) 794.1294

www.UVResources.com

Specifications subject to change without notice - Copyright 2005-2022, all rights reserved.



Transformer Installation Instructions

P/N: 90004883

Model 480 to 220/240Vac - 180VA

Used for X-Plus



CAUTION: always turn power off! Never expose eyes or skin to UV light from any source. Wear gloves, face shields and cover any exposed skin.

NOTE: Read the entire instruction sheet and related product sheets before starting the installation.

SAFETY CONSIDERATIONS

Improper installation, adjustment, alteration, service, maintenance, or use can cause fire, electrical shock, or other conditions which may cause personal injury or property damage. Consult a qualified installer, service agency, or your supplier for information or assistance. The qualified installer or agency must use factory kits or accessories when modifying this product. Refer to the individual instructions packaged with kits or accessories when installing them.

Follow all safety codes, wear safety glasses and work gloves. Read all instructions thoroughly and follow any warnings or cautions attached to any accessed area. Consult local building codes and the National Electrical Code (NEC) for special requirements.

Understand the signal words DANGER, WARNING or CAUTION. These words are universally used for overall safety. DANGER identifies the most serious hazards, which will result in severe personal injury or death. WARNING signifies hazards, which could result in personal injury a death. CAUTION is used to identify unsafe practices, which would result in minor personal injury or product and property damage.



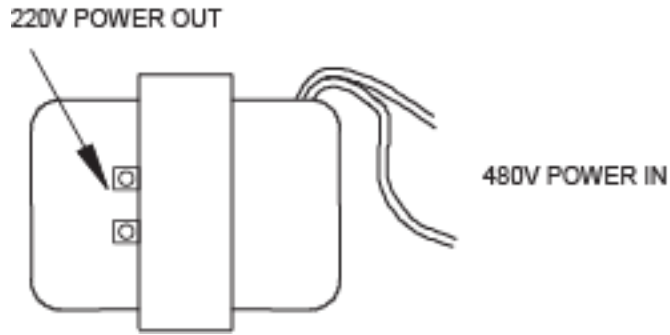
WARNING: Before installing or servicing this unit, always turn off all power. There may be more than 1 disconnect switch. DANGER: Electrical shock can cause personal injury or death.

General:

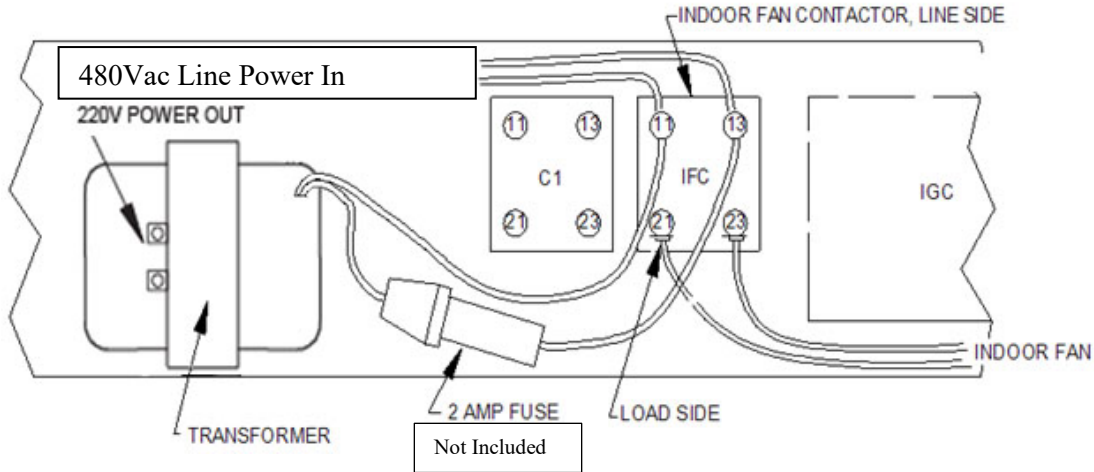
1. The 480Vac to 220/240Vac - 180VA step-down transformer is used to power one or two X-Plus 120-240Vac UVC fixtures from the “power in” (line side) side of and HVACR unit. The continuously hot side Indoor Fan Contactor (IFC) is a good power resource as it is always hot. Running the lights continuously is preferred.
2. Use one (1) each 480Vac to 220/240Vac - 180VA step-down transformer for one or two X-Plus fixtures to be installed. Do not connect more than two X-Plus fixtures to each step-down transformer.

Installation:

1. UV Resources must rely on the skill and expertise of its distributors and/or the installer to assure that this device is properly installed as it would apply to all applicable codes and good industry practice.
2. Refer to any supplied drawing(s) as well as the transformer and A/C unit then select a mounting location that is accessible for wiring from the IFC (as an example) to the UV fixture. Using the transformer as a template, mark then drill two 9/64” holes. Secure with #10 screws or use suitable self-drilling/tapping screws.
3. Mount transformer so that the coil, core, wires or electrical spades do not contact any metal surfaces or obstruct any other serviceable item.
4. Remove the A/C unit factory “line-side” wires of its IFC then route the supplied transformer power-in leads to the IFC terminals just removed and push them on. Replace the factory “line-side” wires of the IFC by plugging them onto the “piggy-back” terminals of the transformer power-in leads. Use appropriate cable clamps or wire ties as necessary to secure all wiring from movement. It is preferred that the UV lights run continuously.
5. Confirm proper wiring of all circuits, apply power and verify appropriate operation of all associated equipment. Note: Voltages greater than 480Vac will void all warranties.



Use one (1) each 480 to 220/240 transformer for up to two (2) X-Plus fixtures



480 to 220/240 wiring option for package unit

TYPICAL INSTRUCTIONS

1. Mount Transformer in Electrical Compartment or appropriate electrical enclosure
2. Disconnect Power IN leads to indoor fan contactor (IFC)
3. Connect Transformer "Piggyback" female end in its place
4. Reconnect power in leads onto the male "Piggyback" connections provided on the transformer leads
5. Connect 220/240V transformer out to leads on the X-Plus(es)

UV Resources™
P.O. Box 800370 • Santa Clarita • California • 91380
(877) 884.4822 • Fax: (877) 794-1294
www.UVResources.com

Specifications subject to change without notice - © 2005-2022, all rights reserved.

90000414 Rev. B 12/21