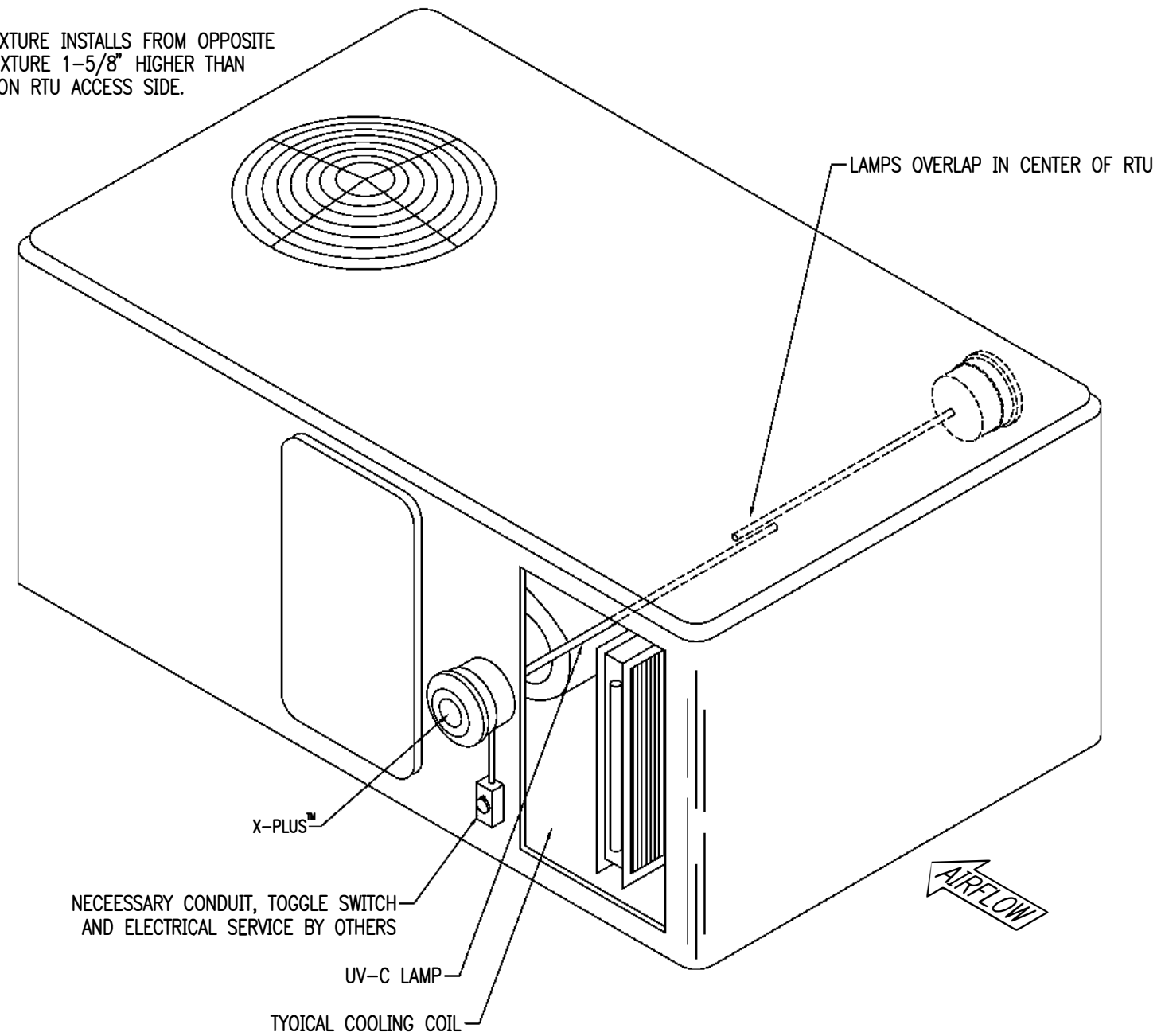


NECESSARY CONDUIT, TOGGLE SWITCH
AND ELECTRICAL SERVICE BY OTHERS

TYPICAL RTU
EXTERIOR VIEW

SECOND UV-C FIXTURE INSTALLS FROM OPPOSITE
SIDE. LOCATE FIXTURE 1-5/8" HIGHER THAN
FIXTURE SHOWN ON RTU ACCESS SIDE.



NECESSARY CONDUIT, TOGGLE SWITCH
AND ELECTRICAL SERVICE BY OTHERS

X-PLUS™

UV-C LAMP

TYPICAL COOLING COIL

LAMPS OVERLAP IN CENTER OF RTU

TYPICAL RTU
COIL SECTION PANEL REMOVED

PARTS LIST

QTY	MODEL#	PART #	DESCRIPTION
	XP-SO-MV	57800550	X-PLUS SINGLE ENDED NEMA 4X FIXTURE, 120-240 VAC * (INCL BALLAST & HOUSING)
	SEL-17-SO-T5-1	57033551	SEL 17" SINGLE ENDED STANDARD OUTPUT LAMP
	SEL-22-SO-T5-1	55043551	SEL 22" SINGLE ENDED STANDARD OUTPUT LAMP
	SEL-23-SO-T5-EB-1	57013551	SEL 23" SINGLE ENDED STANDARD OUTPUT LAMP-EXTENDED BASE
	SEL-33-SO-T5-1	55063551	SEL 33" SINGLE ENDED STANDARD OUTPUT LAMP
	SEL-36-SO-T5-EB-1	57073551	SEL 36" SINGLE ENDED STANDARD OUTPUT LAMP-EXTENDED BASE
	SEL-45-SO-T5-EB-1	57083551	SEL 45" SINGLE ENDED STANDARD OUTPUT LAMP-EXTENDED BASE
	SEL-60-SO-T5-EB-1	57093551	SEL 60" SINGLE ENDED STANDARD OUTPUT LAMP-EXTENDED BASE

* CONTACT FACTORY FOR USE WITH 277VAC.

NOTES:

1. MULTIPLE FIXTURES CAN BE WIRED IN PARALLEL.

GENERAL:

1. REFER TO PRODUCT IOM FOR INSTALLATION DETAILS.
2. USE INTERLOCK SWITCHES ON ALL ACCESSES TO LAMPS.
3. CAUTION: NEVER LOOK AT LAMPS WHEN LIT - EYE AND SKIN DAMAGE MAY RESULT FROM EXPOSURE.

Rev	Date	Description
Description:		MULTIPLE X-PLUS™ HORIZONTAL INSTALLATION, OPPOSING SIDES
PN:		N/A
Rev: 0	Date: 8/4/14	Dwg No. 57000101
		1 of 1