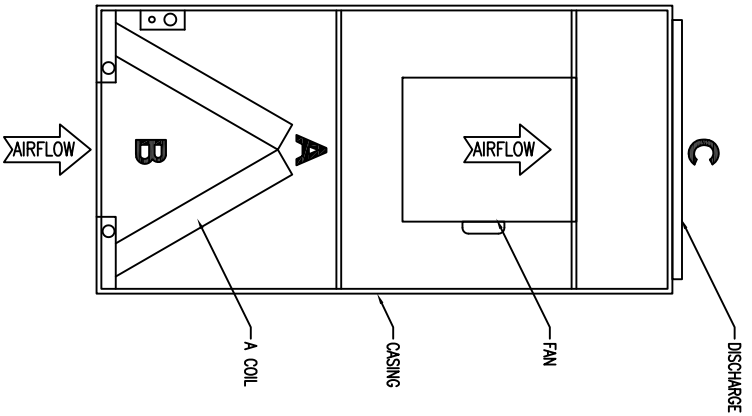
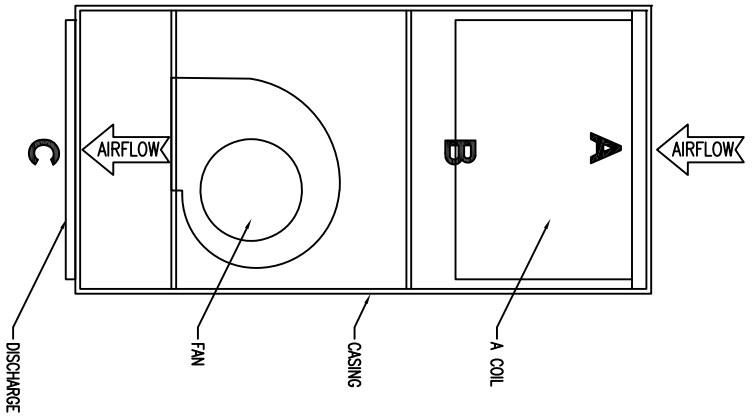


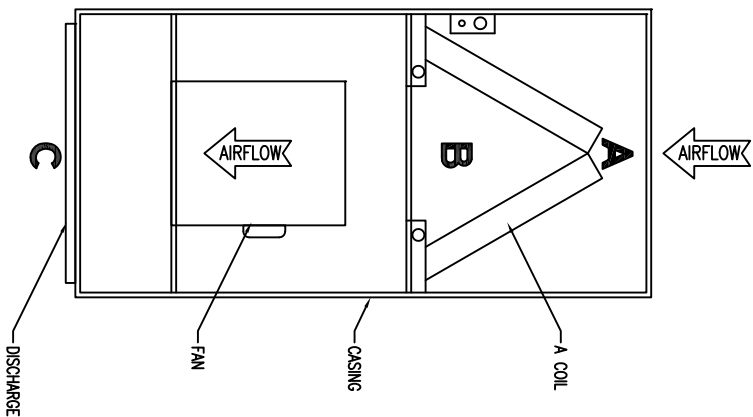
SIDE VIEW



FRONT VIEW



SIDE VIEW



FRONT VIEW

GENERAL NOTES:

- A** = PREFERRED INSTALLATION LOCATION (BEST)
- B** = INSTALLATION LOCATION (BETTER)
- C** = INSTALLATION LOCATION (GOOD)

GENERAL NOTES:

- 1.) PLEASE REFER TO RLM AND PLAYSTREME INSTALLATION MANUAL FOR PROPER LAMP/HOSTER MOUNTING LOCATIONS.
- 2.) USE SUPPLIED (2) #18 X 1" PAN HEAD PHILLIPS SELF DRILLING SCREWS TO MOUNT LAMP/HOSTER.

PROPRIETARY AND CONFIDENTIAL
 THE INFORMATION CONTAINED IN THIS DRAWING IS THE SOLE PROPERTY OF UV RESOURCES. ANY REPRODUCTION IN PART OR AS A WHOLE WITHOUT WRITTEN PERMISSION IS PROHIBITED
 OTHERWISE SPECIFIED, STANDARD TOLERANCE APPLIES

DEPT	APPROVAL	DATE
ENGR / GA		

REV	DATE	INITIAL RELEASE	DESCRIPTION OF CHANGE	DFT
A	05/22/2025			HAHN

SCALE	NOT DRAWN TO SCALE	PAGE	3 OF 3



HORNET INSTALLATION LOCATION
 DRAWING NO INST-57303551

REV
A